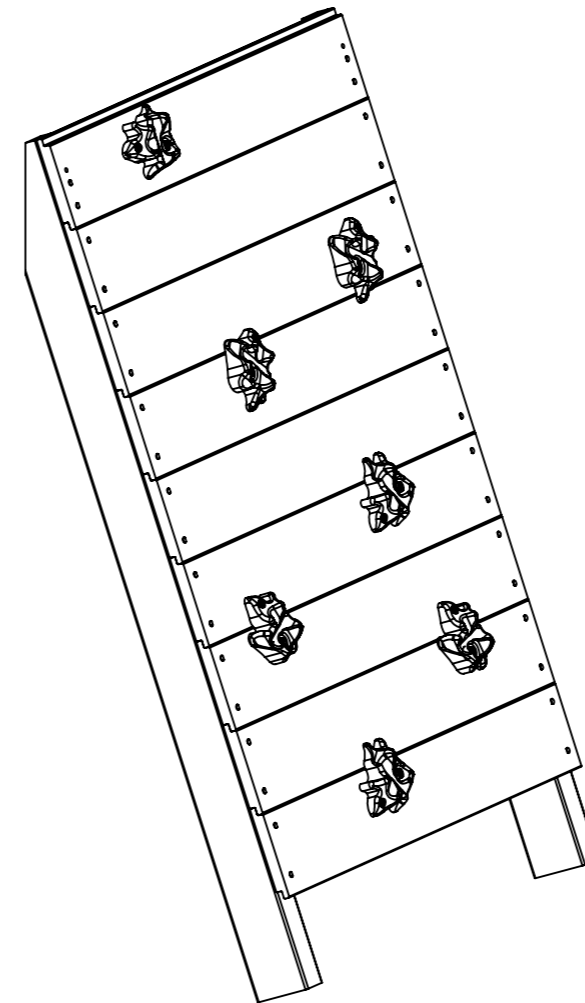
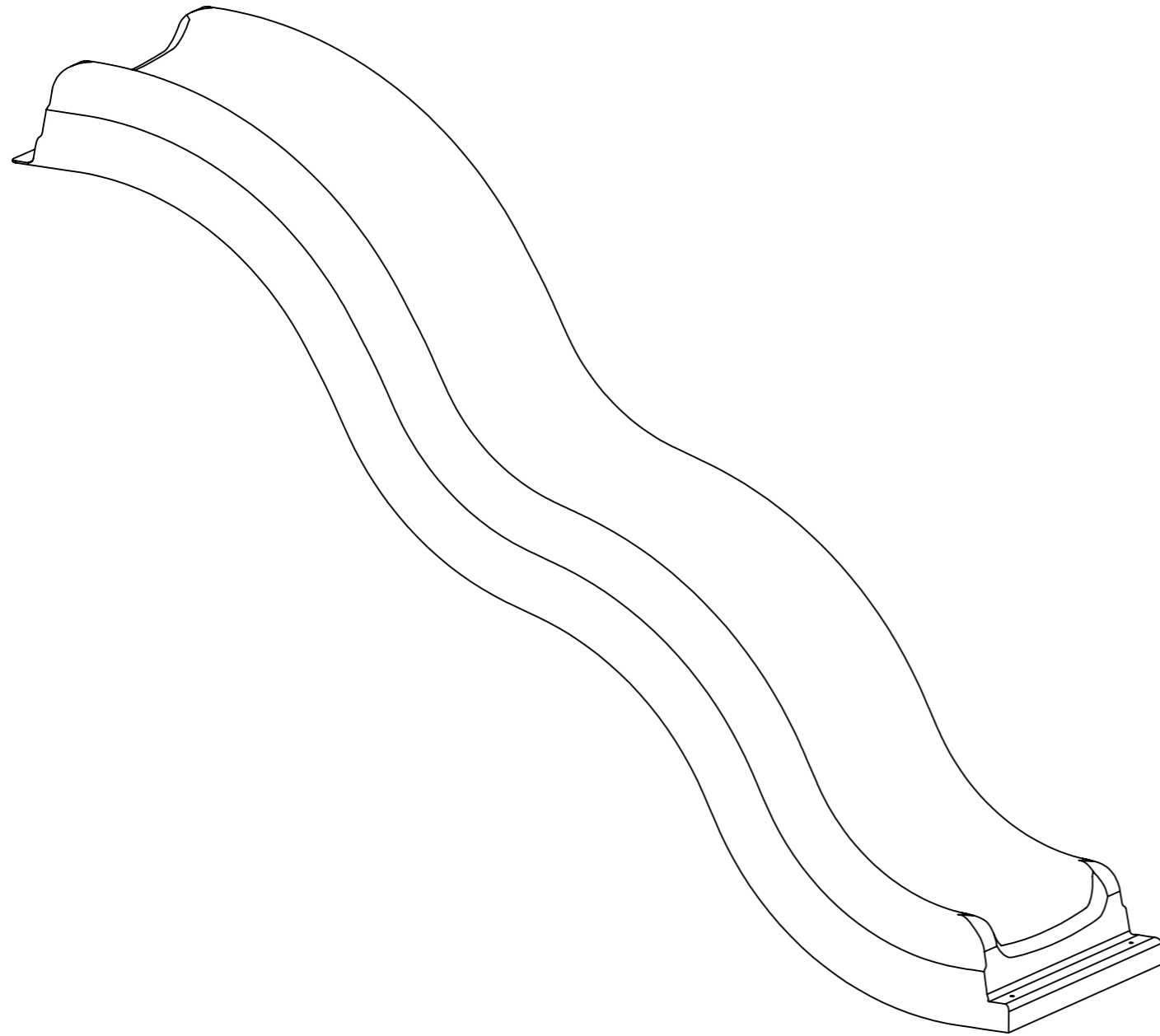
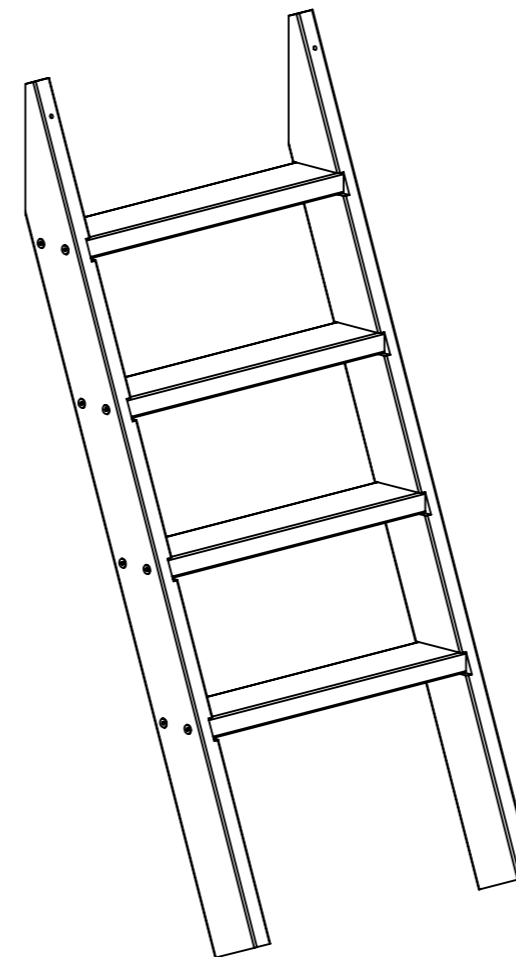


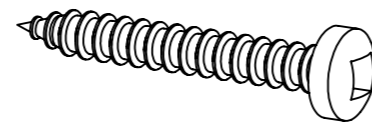
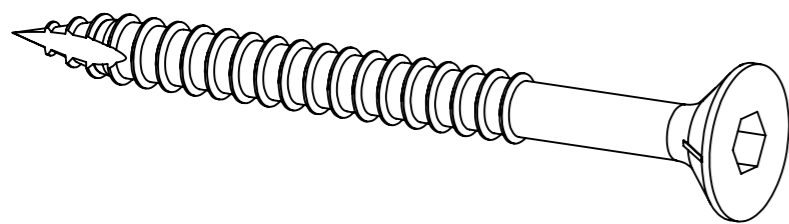
ASSEMBLY INSTRUCTIONS - ACCESSORIES  
PARTS/REQUIREMENTS LIST

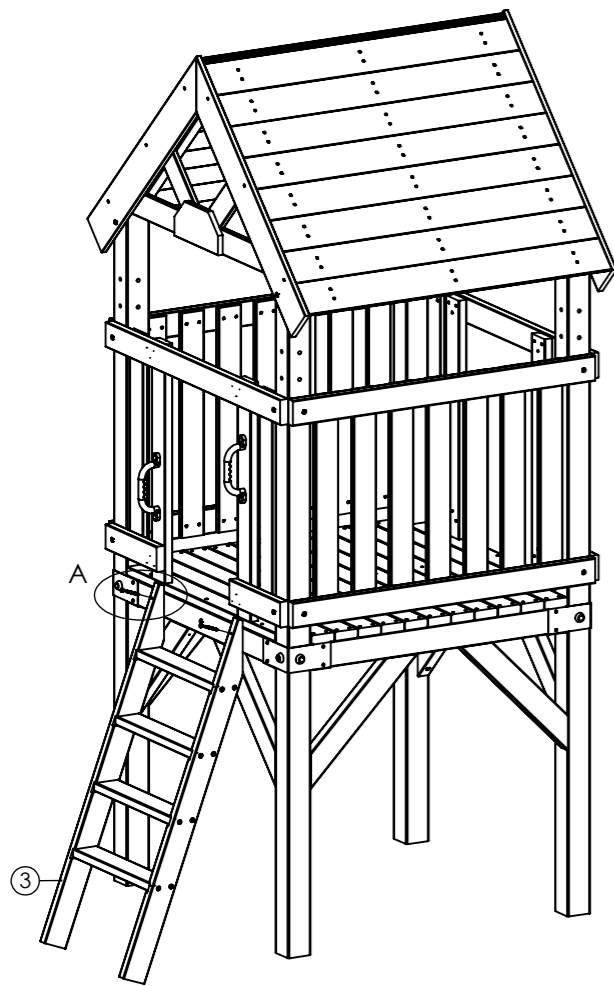


Accessories Parts List		
Item	Description	Qty
1	Wave Slide	As Per Ordered
2	Rockwall	As Per Ordered
3	Wooden Ladder	As Per Ordered
4	14G x 75mm Bugle Phil Screw	4
5	12G x 32mm Pan Square Screw	2



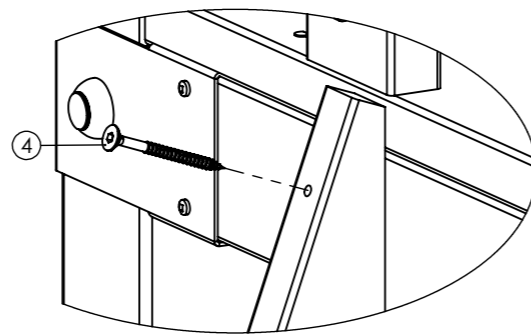
Tools Required	
1	Battery Drill (Atleast 14.4v)
2	3mm x 50mm Square Drive Bit (Supplied With Tower Pack)
3	5mm x 50mm Hex Drive Bit (Supplied With Tower Pack)
4	Level
5	Spade



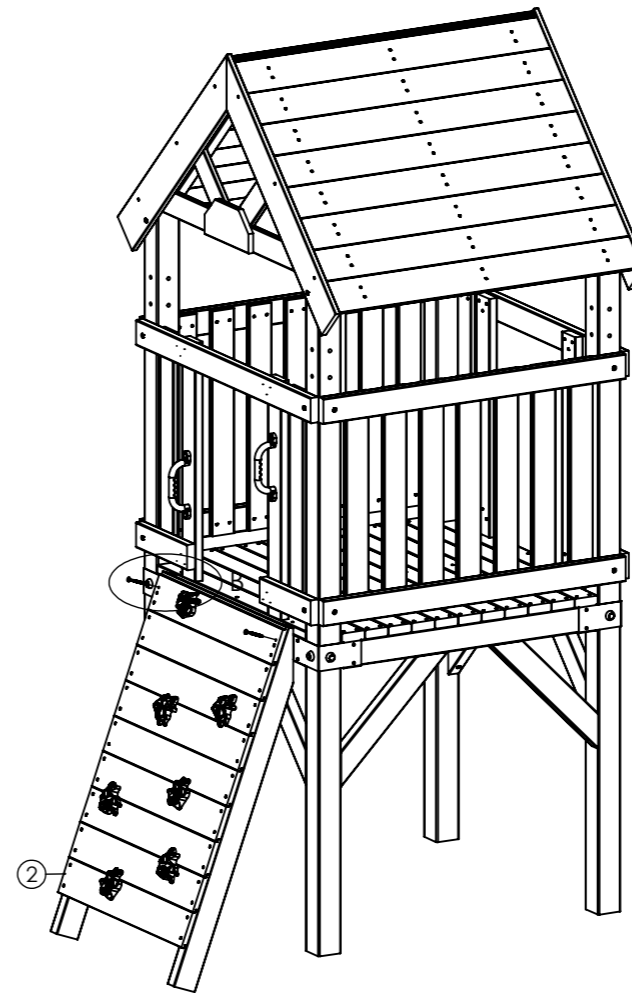


STEP:  
Ladder Installation

Instruction:  
Center Ladder With Open Barrier.  
Dig Ladder Into Ground Until  
Top Of Ladder Is Flush With  
Tower Deck, Then Fix In Place  
(As Per Detail A).

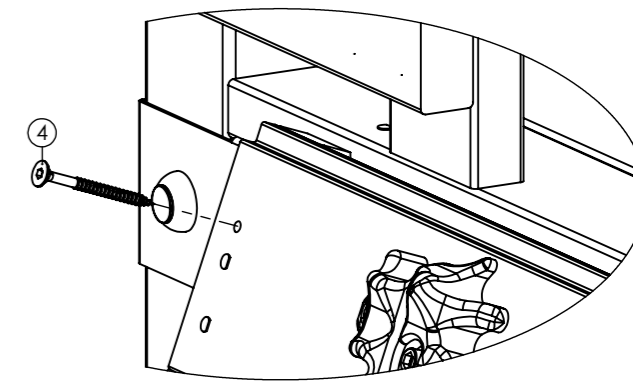


DETAIL A  
SCALE 1 : 4

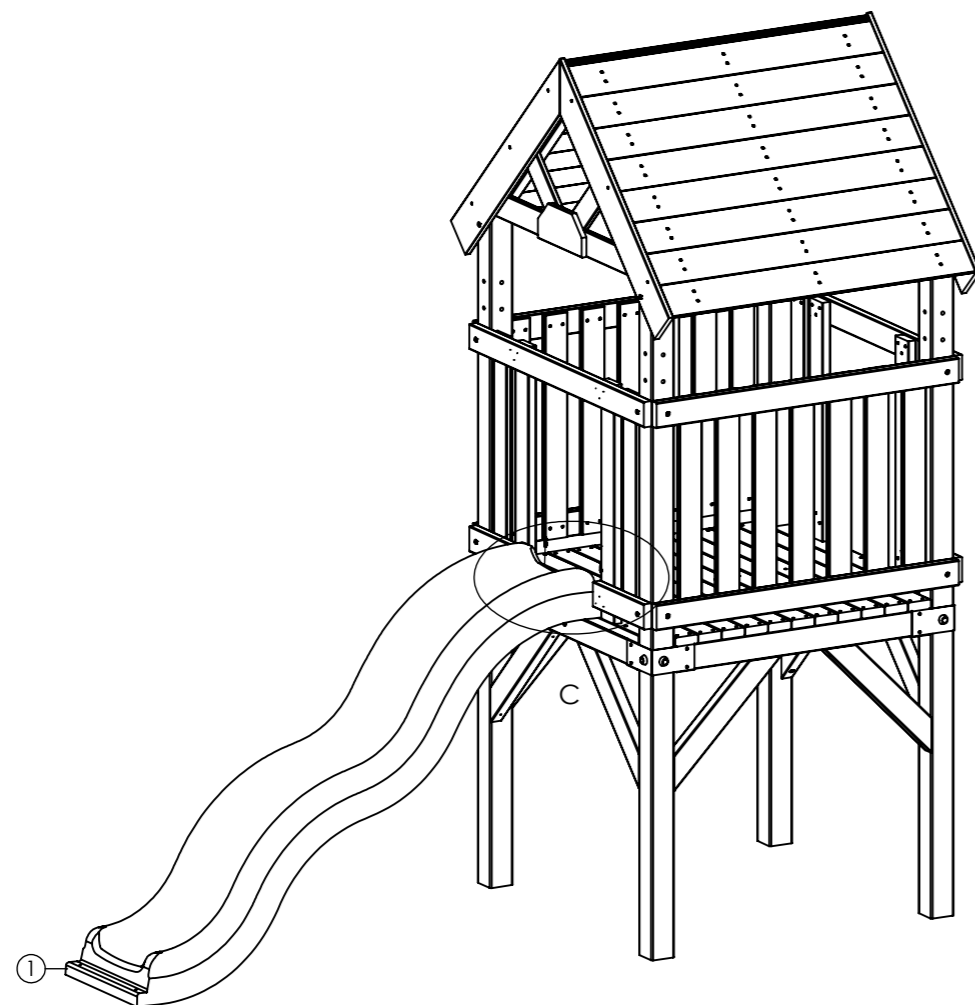


STEP:  
Rockwall Installation

Instruction:  
Center Rockwall With Open Barrier.  
Dig Rockwall Into Ground Until  
Top Of Rockwall Is Flush With  
Tower Deck, Then Fix In Place  
(As Per Detail B).

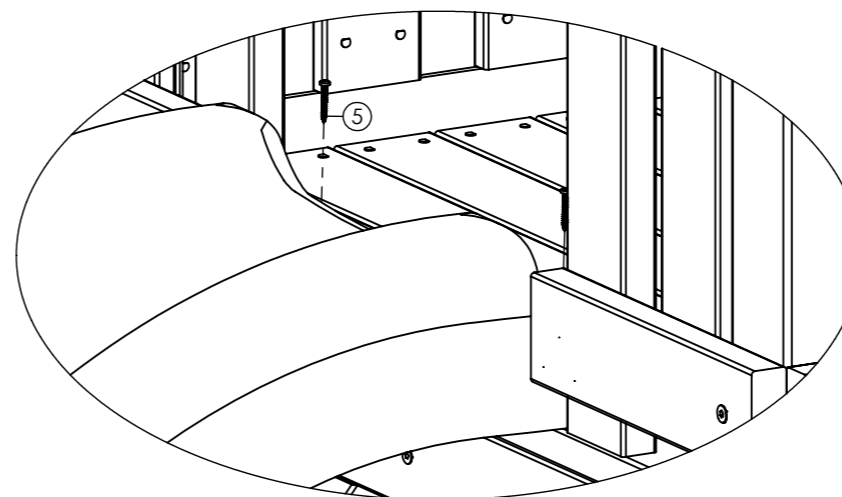


DETAIL B  
SCALE 1 : 4



STEP:  
Wave Slide Installation

Instruction:  
Center Waveslide With Open Barrier.  
Overlap Slide Approximately 50mm With  
The Deck. Fix Slide In Place.



DETAIL C  
SCALE 1 : 6