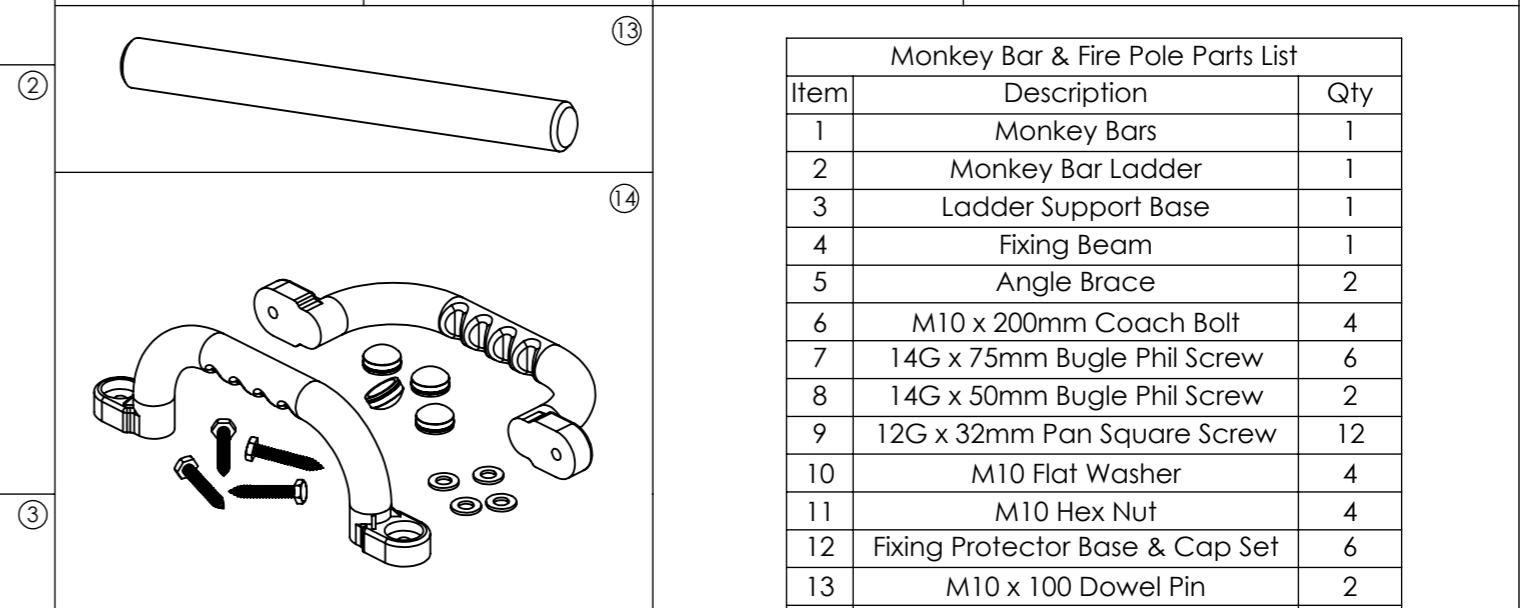
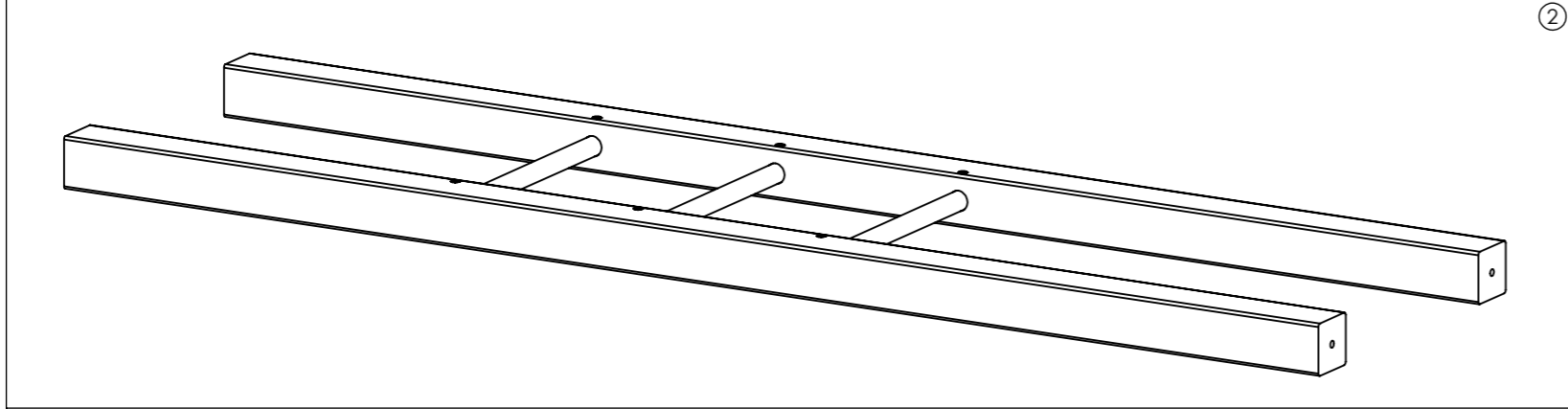
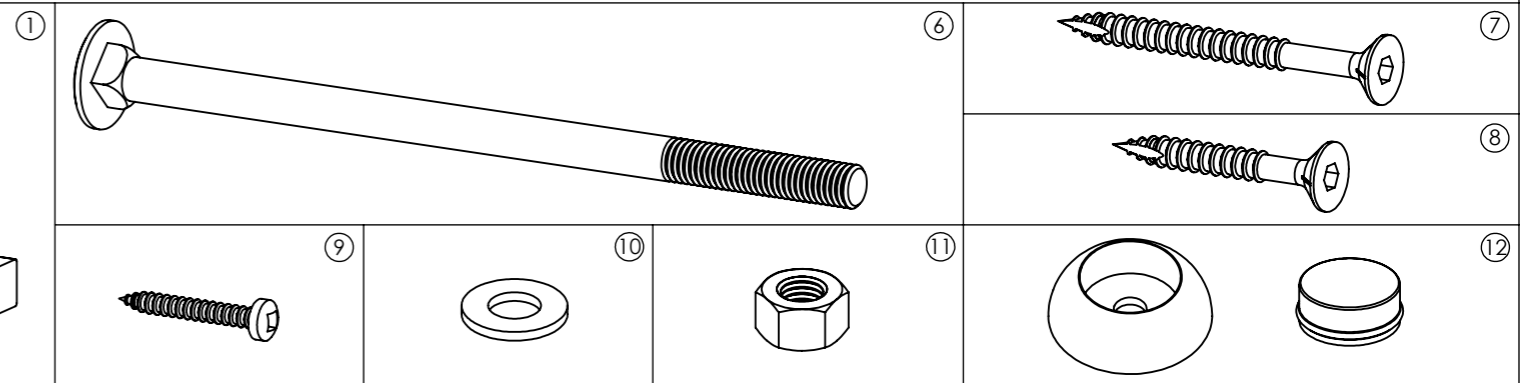
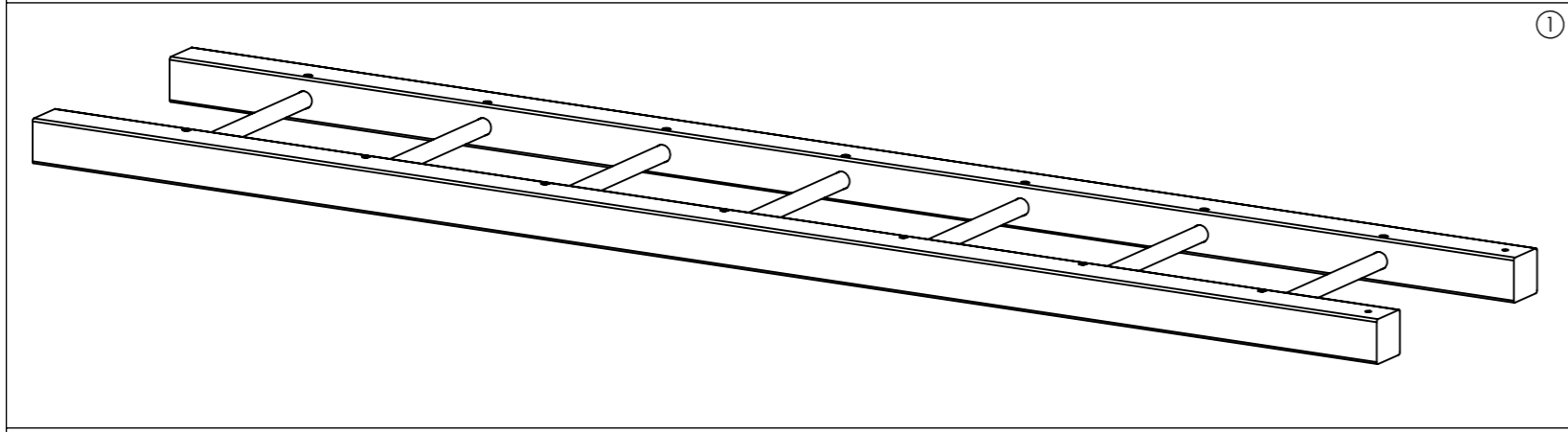
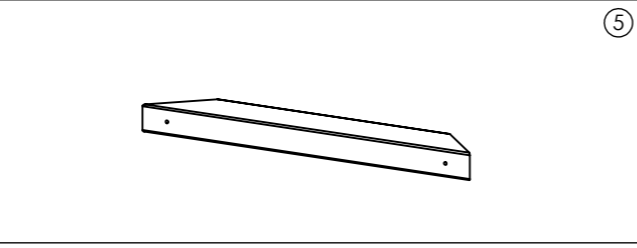
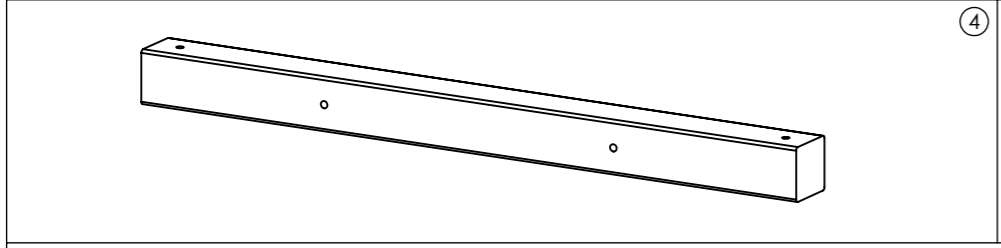
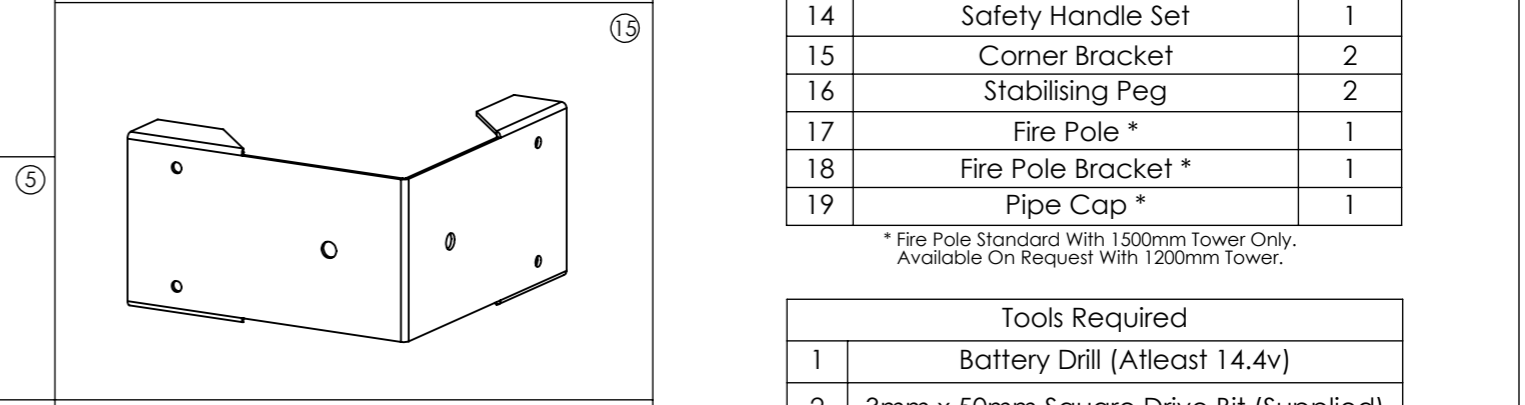
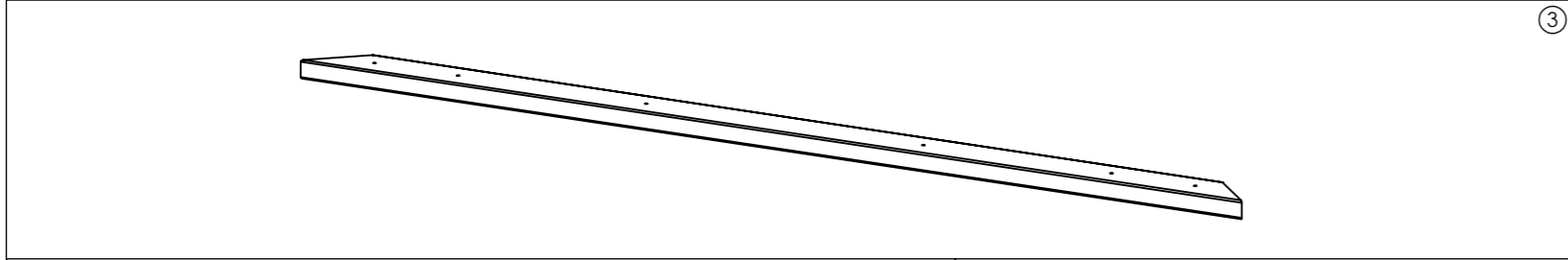


ASSEMBLY INSTRUCTIONS - MONKEY BARS & FIRE POLE PARTS/REQUIREMENTS LIST

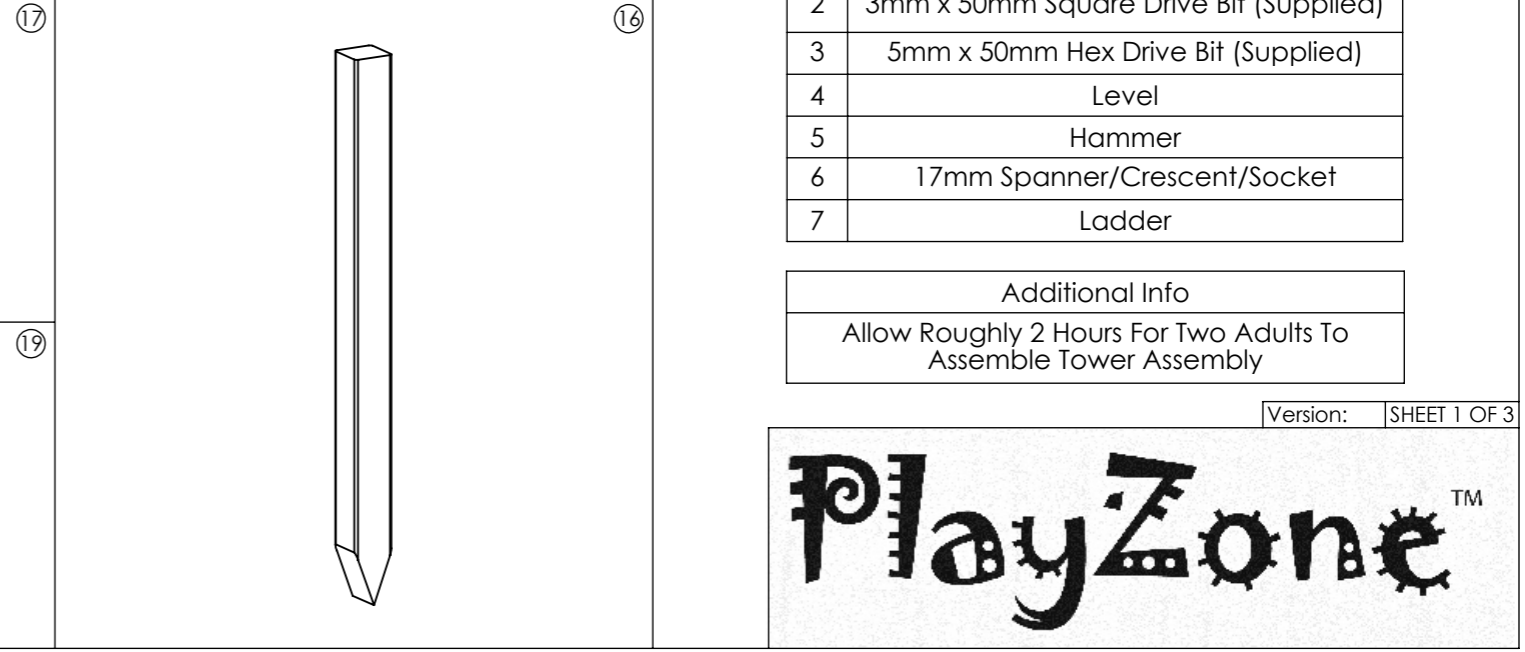
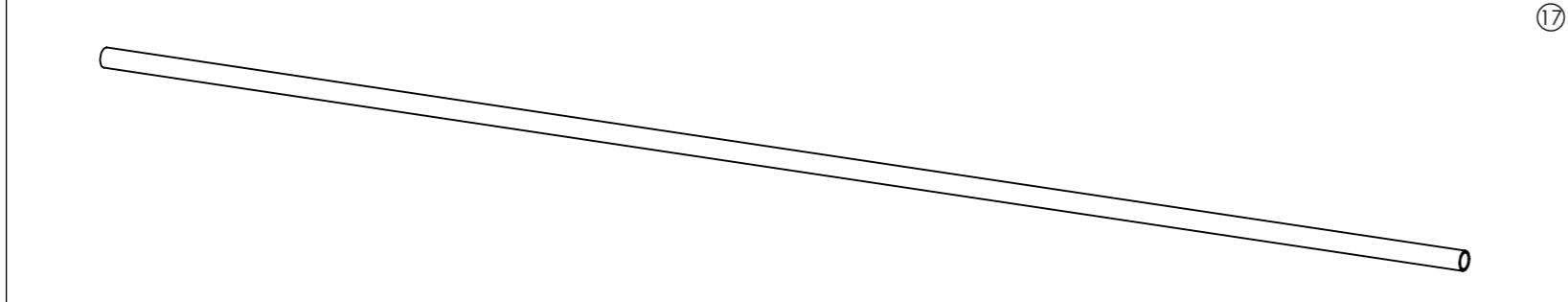


Monkey Bar & Fire Pole Parts List		
Item	Description	Qty
1	Monkey Bars	1
2	Monkey Bar Ladder	1
3	Ladder Support Base	1
4	Fixing Beam	1
5	Angle Brace	2
6	M10 x 200mm Coach Bolt	4
7	14G x 75mm Bugle Phil Screw	6
8	14G x 50mm Bugle Phil Screw	2
9	12G x 32mm Pan Square Screw	12
10	M10 Flat Washer	4
11	M10 Hex Nut	4
12	Fixing Protector Base & Cap Set	6
13	M10 x 100 Dowel Pin	2
14	Safety Handle Set	1
15	Corner Bracket	2
16	Stabilising Peg	2
17	Fire Pole *	1
18	Fire Pole Bracket *	1
19	Pipe Cap *	1

* Fire Pole Standard With 1500mm Tower Only.
Available On Request With 1200mm Tower.

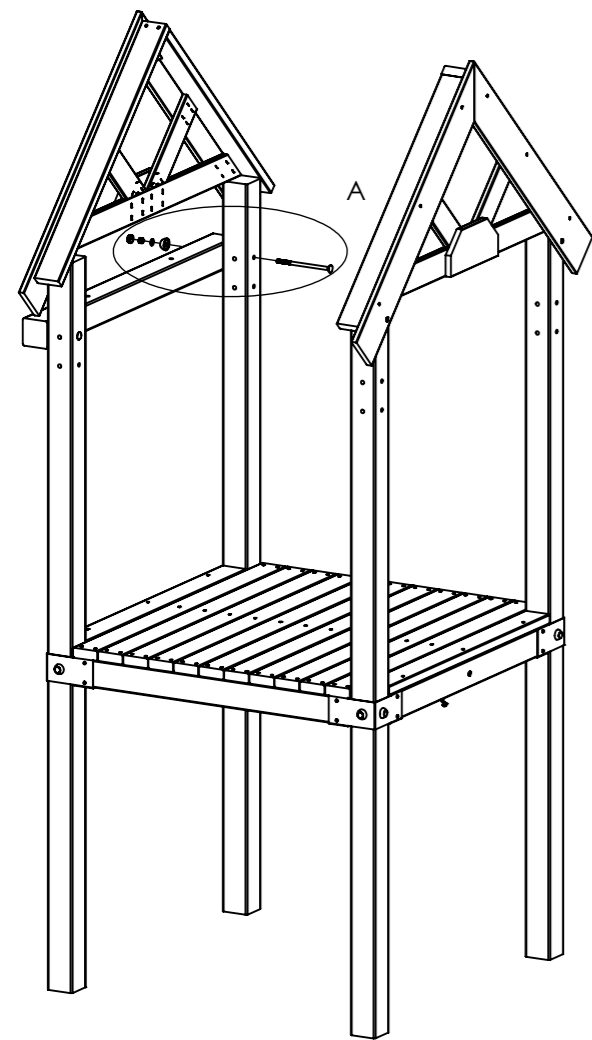


Tools Required	
1	Battery Drill (Atleast 14.4v)
2	3mm x 50mm Square Drive Bit (Supplied)
3	5mm x 50mm Hex Drive Bit (Supplied)
4	Level
5	Hammer
6	17mm Spanner/Crescent/Socket
7	Ladder



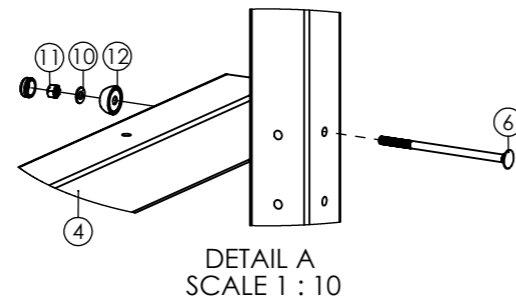
Additional Info
Allow Roughly 2 Hours For Two Adults To
Assemble Tower Assembly





STEP 1:
Mounting Fixing Beam

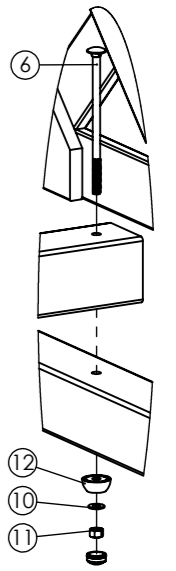
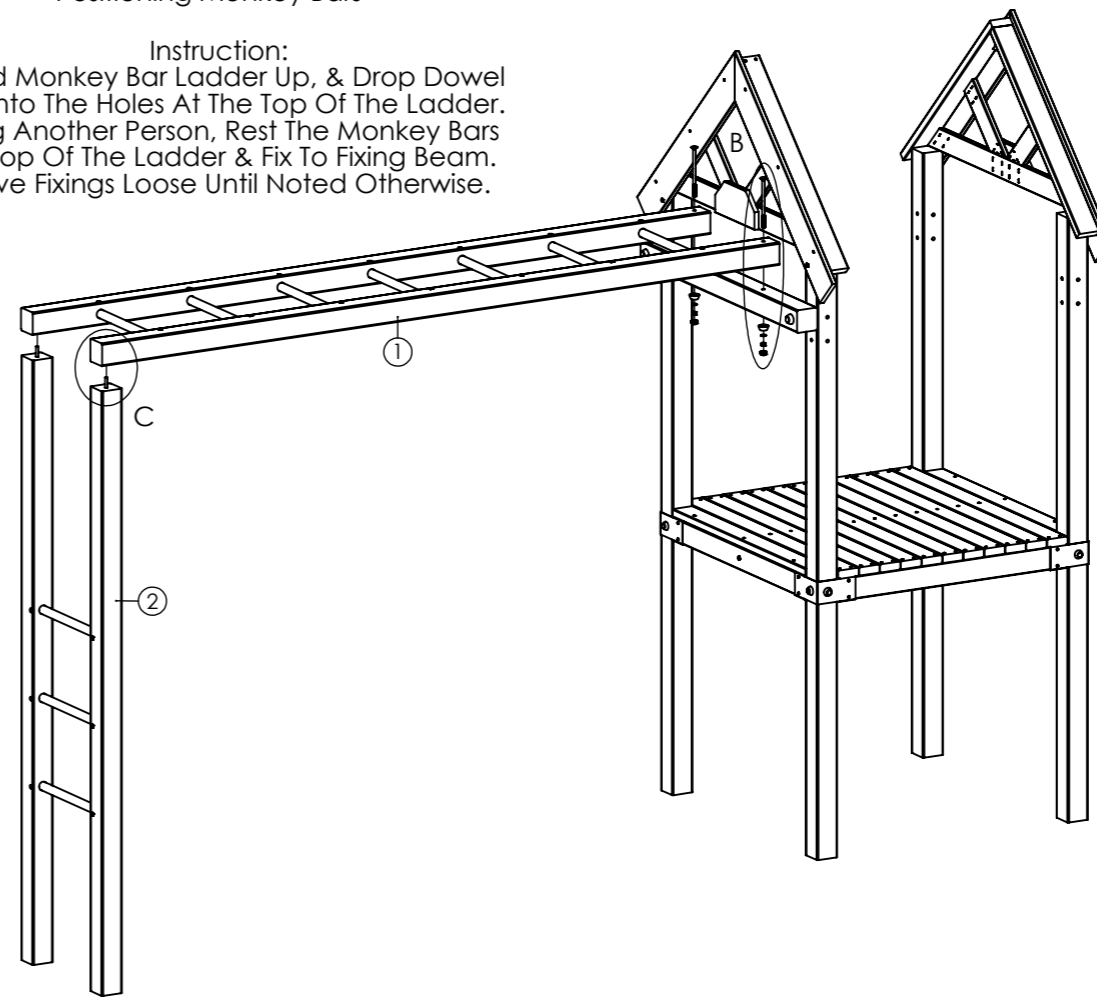
Instruction:
Secure Fixing Beam To The Towers
Top Set Of Holes (As Shown), Unless
Monkey Bars Sit 90° To Swing Beam
(In Which Case Use Bottom Set Of Holes).
Leave Fixings Loose Until Noted Otherwise.



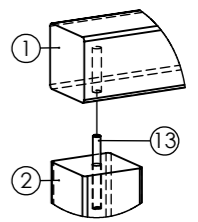
DETAIL A
SCALE 1 : 10

STEP 2:
Positioning Monkey Bars

Instruction:
Stand Monkey Bar Ladder Up, & Drop Dowel
Pins Into The Holes At The Top Of The Ladder.
Using Another Person, Rest The Monkey Bars
On Top Of The Ladder & Fix To Fixing Beam.
Leave Fixings Loose Until Noted Otherwise.



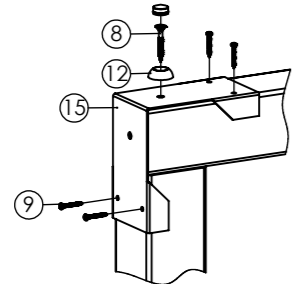
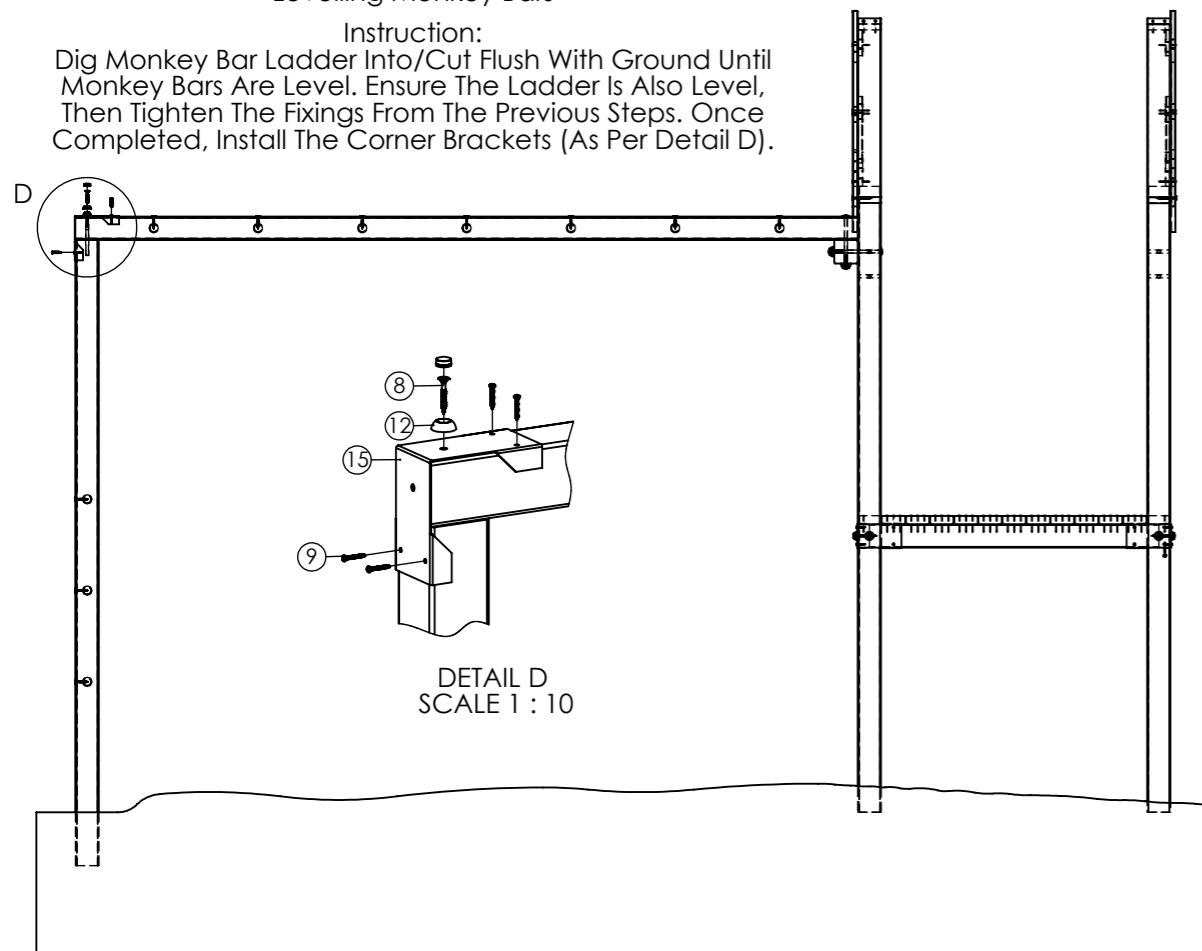
DETAIL B
SCALE 1 : 10



DETAIL C
SCALE 1 : 10

STEP 3:
Levelling Monkey Bars

Instruction:
Dig Monkey Bar Ladder Into/Cut Flush With Ground Until
Monkey Bars Are Level. Ensure The Ladder Is Also Level,
Then Tighten The Fixings From The Previous Steps. Once
Completed, Install The Corner Brackets (As Per Detail D).

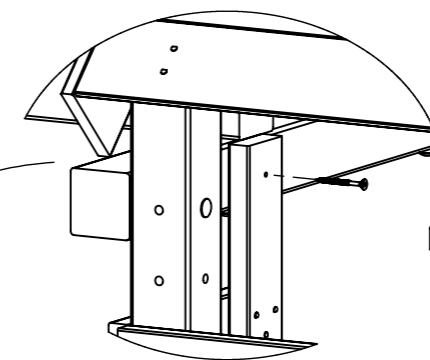


DETAIL D
SCALE 1 : 10

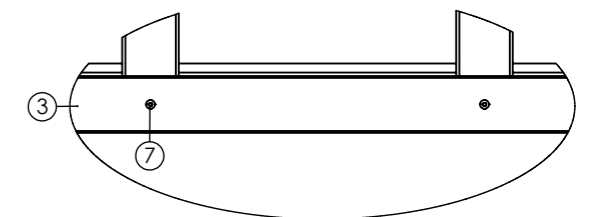
STEP 4:
Ladder Support Base

**** IMPORTANT ****
Finish Tower Assembly Before
Completing The Remaining Steps
Of The Monkey Bars/Fire Pole Assembly.

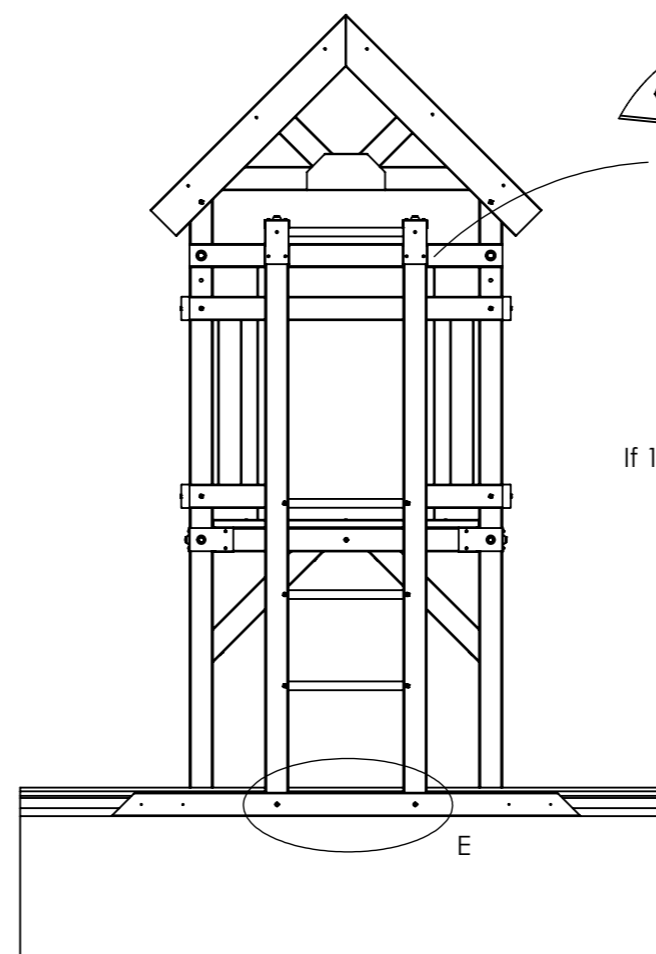
Instruction:
Center Ladder Support Base
With Monkey Bar Ladder.
Level Support Base Against
The Ground & Fix In Place.
Fix Half Barrier (If 1200 Tower)
To Fixing Beam As Detailed Left.



**** IMPORTANT ****
Ensure Half Barrier Is Used
If 1200 Tower (As Shown), Or Closed
Barrier If 1500 Tower.

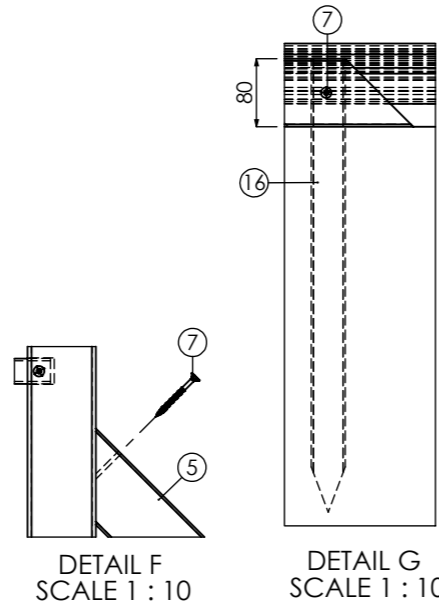
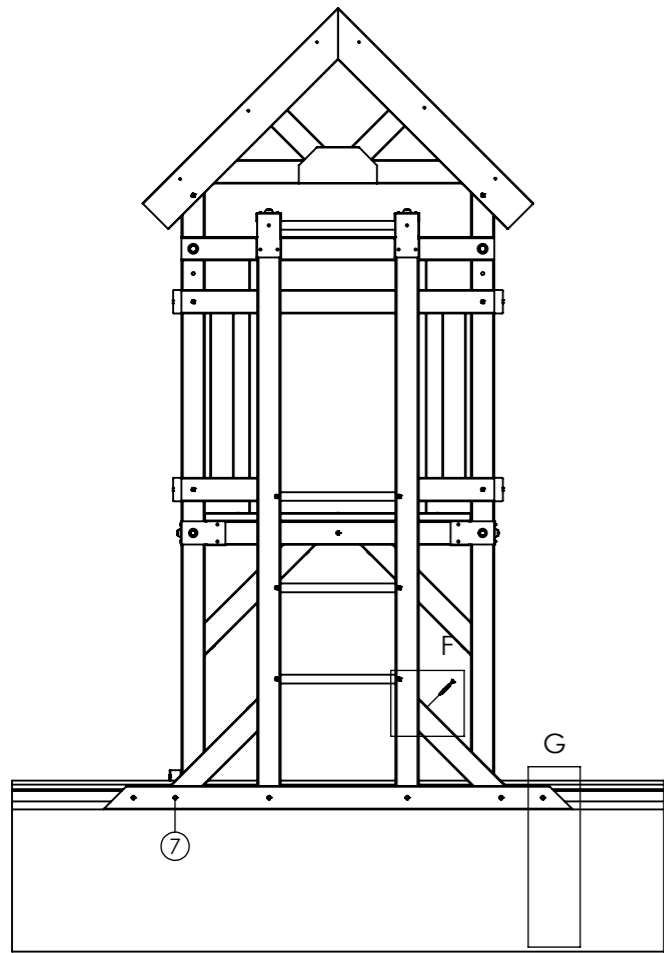


DETAIL E
SCALE 1 : 12



STEP 5:
Support Base Bracing

Instruction:
Screw Angle Braces To Ladder
(Detail F), Then Fix Additional
Screw Through Support Brace
Into Angle Brace. Stake Support
Brace Into Ground (Detail G)
& Fix In Place.

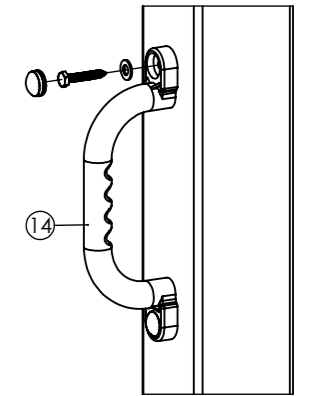
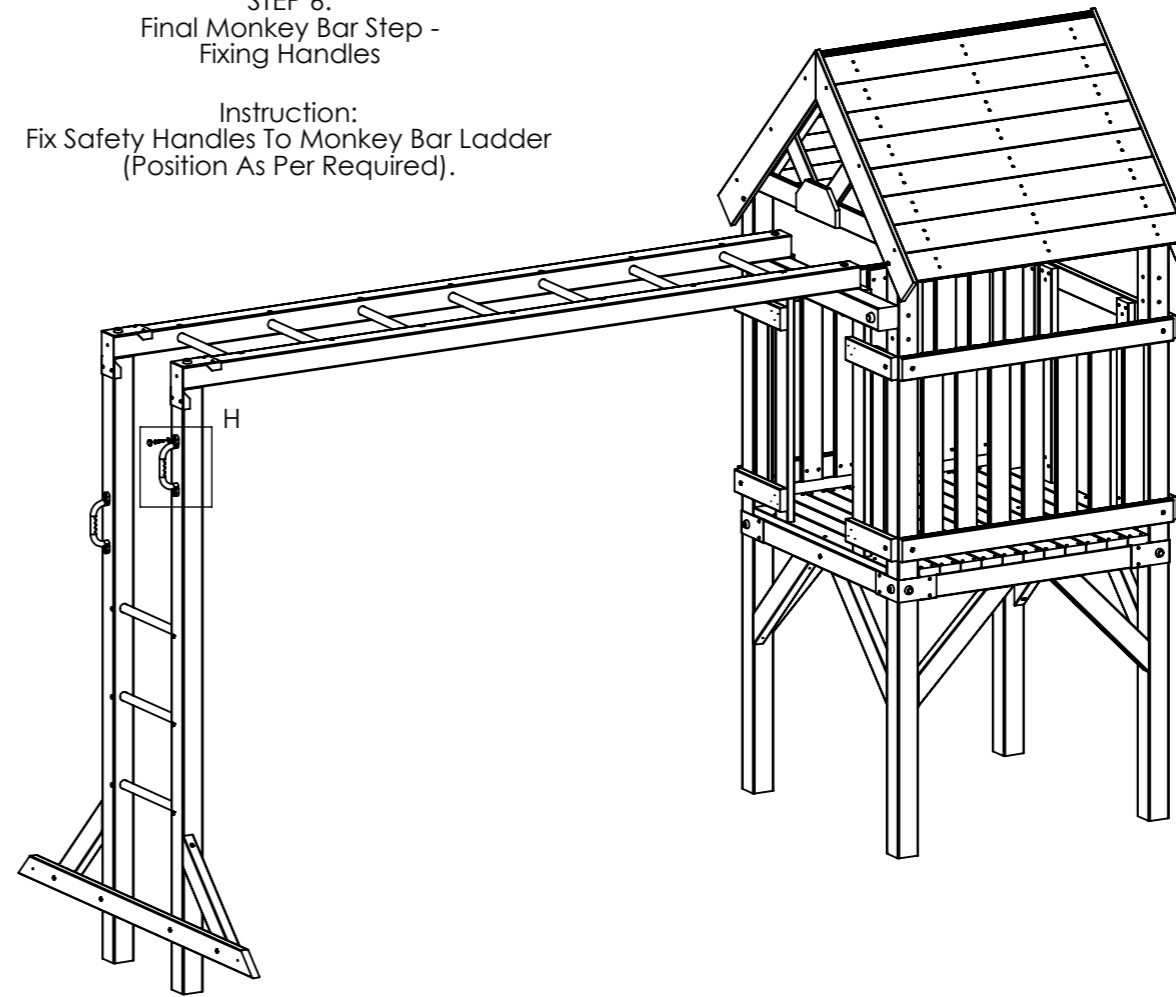


DETAIL F
SCALE 1 : 10

DETAIL G
SCALE 1 : 10

STEP 6:
Final Monkey Bar Step -
Fixing Handles

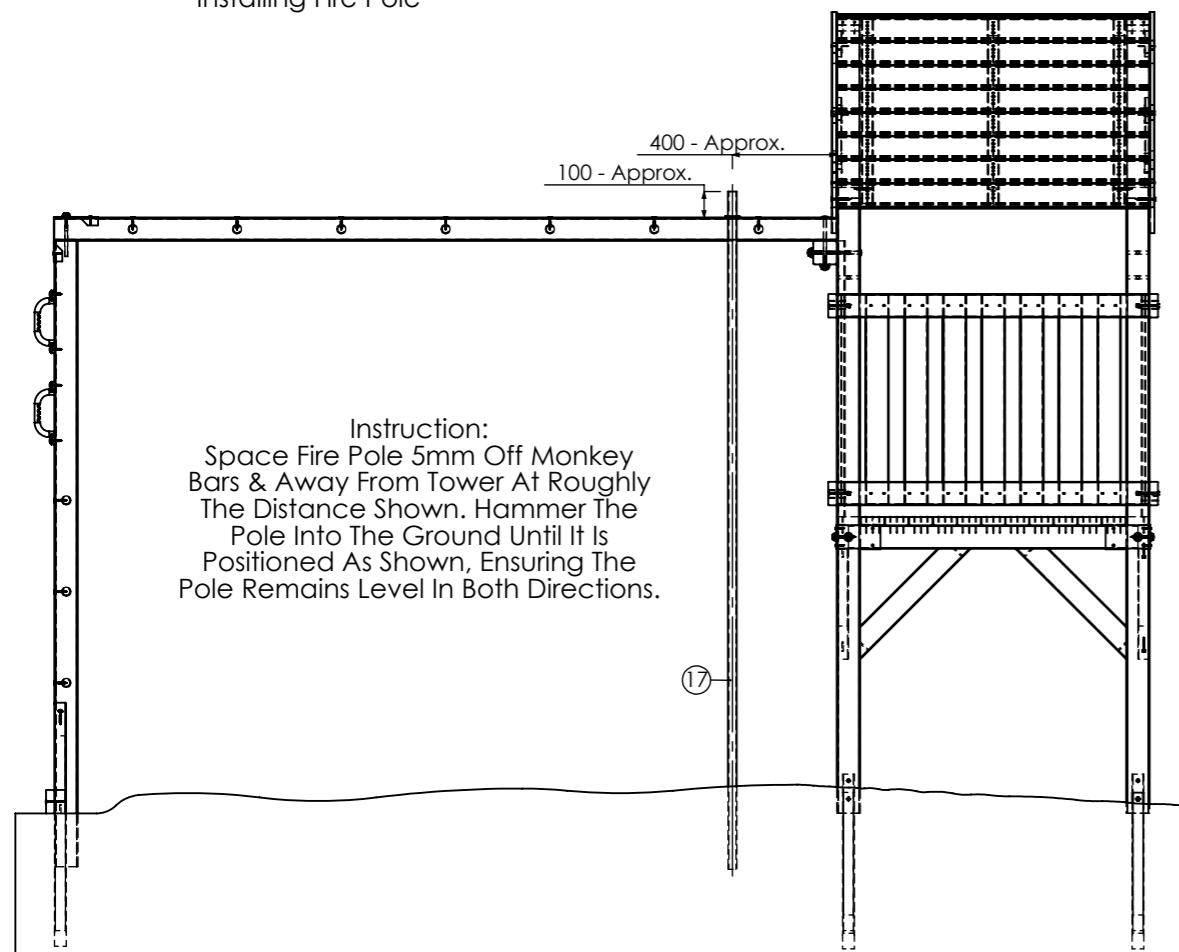
Instruction:
Fix Safety Handles To Monkey Bar Ladder
(Position As Per Required).



DETAIL H
SCALE 1 : 6

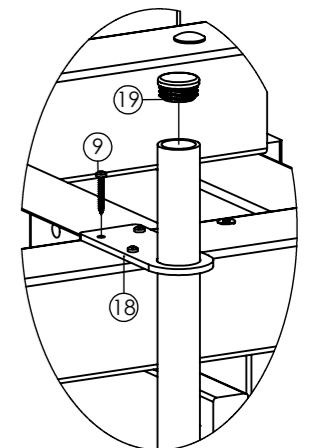
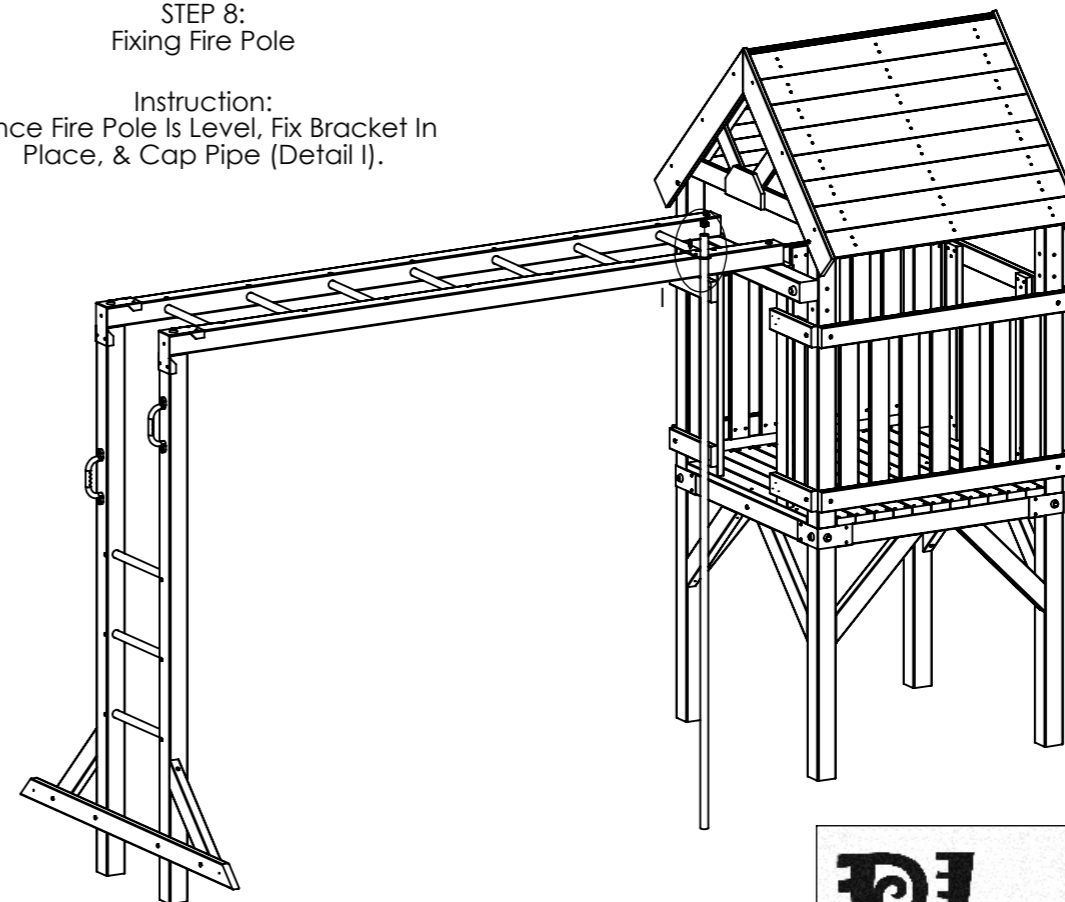
STEP 7:
Installing Fire Pole

Instruction:
Space Fire Pole 5mm Off Monkey
Bars & Away From Tower At Roughly
The Distance Shown. Hammer The
Pole Into The Ground Until It Is
Positioned As Shown, Ensuring The
Pole Remains Level In Both Directions.



STEP 8:
Fixing Fire Pole

Instruction:
Once Fire Pole Is Level, Fix Bracket In
Place, & Cap Pipe (Detail I).



DETAIL I
SCALE 1 : 6