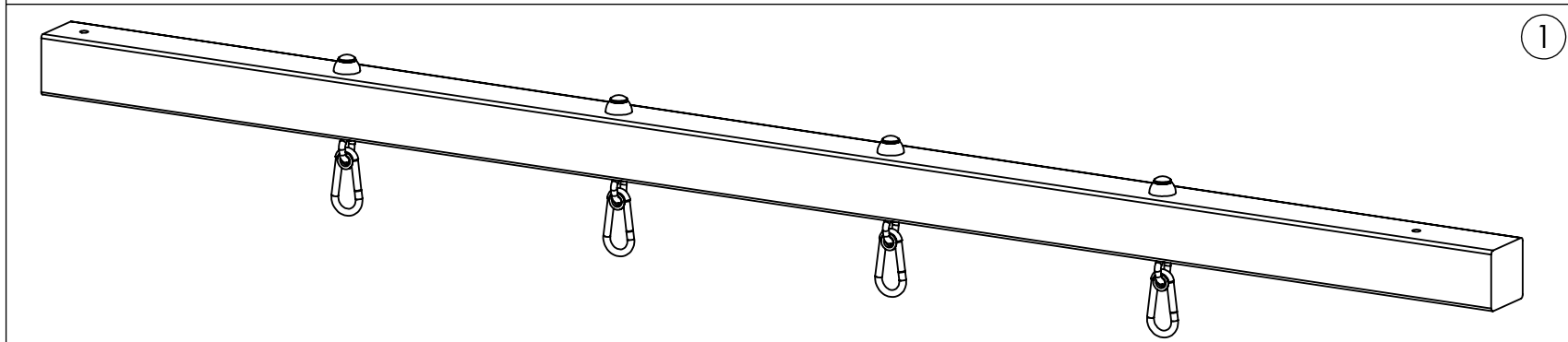
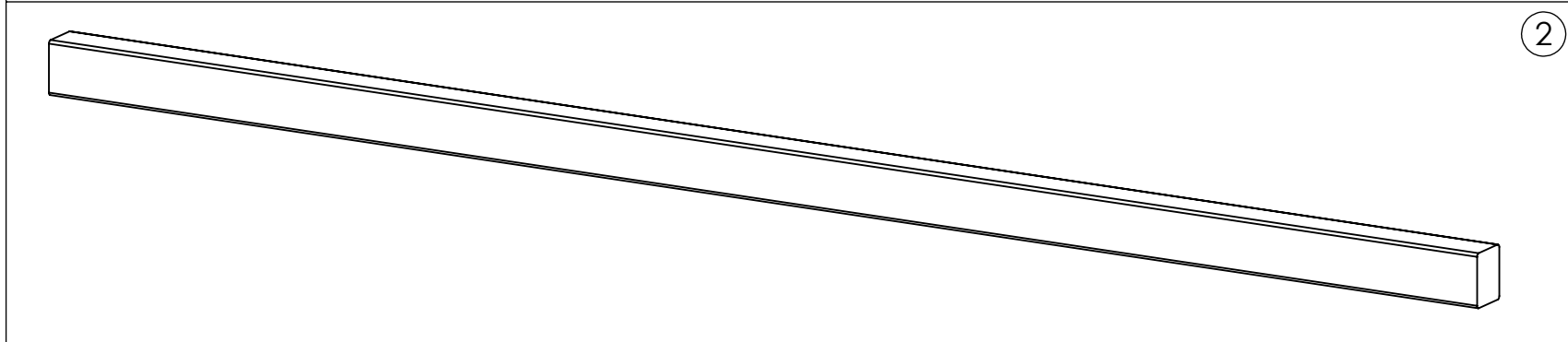


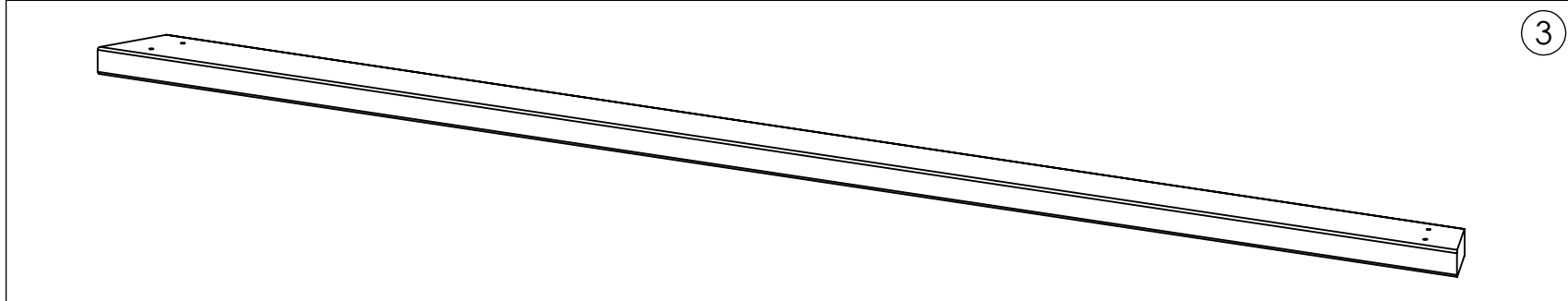
# ASSEMBLY INSTRUCTIONS - 2 BAY SWING BEAM PARTS/REQUIREMENTS LIST



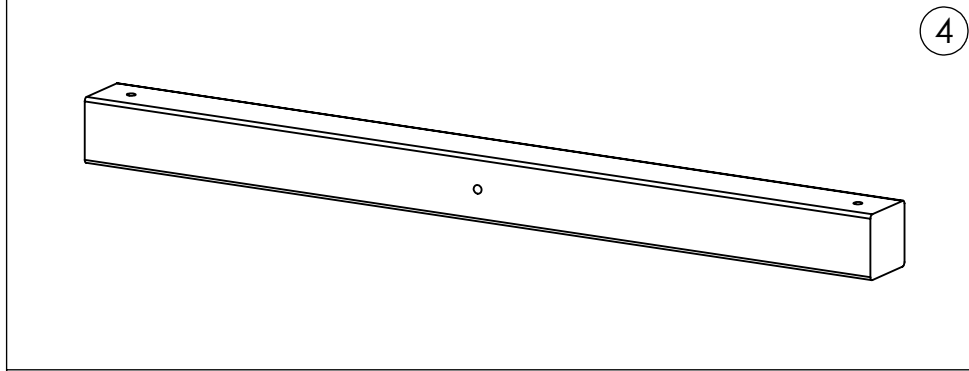
①



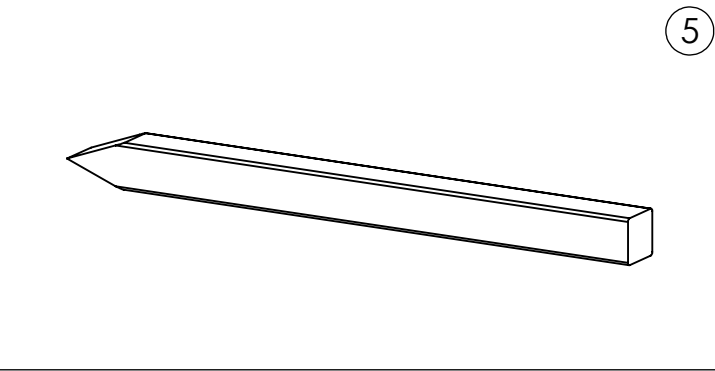
②



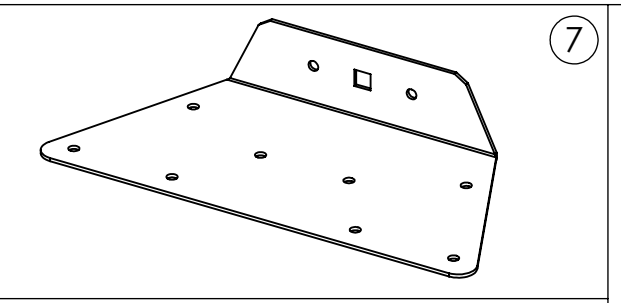
③



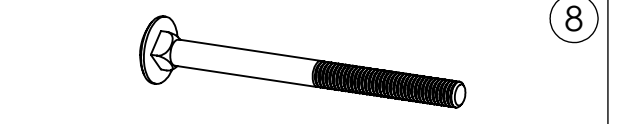
④



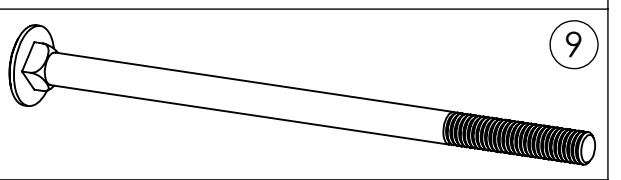
⑤



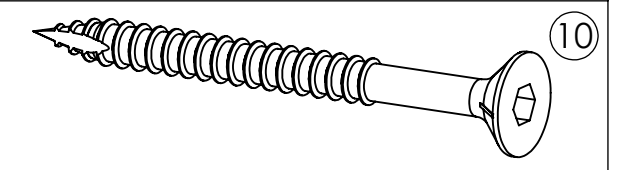
⑦



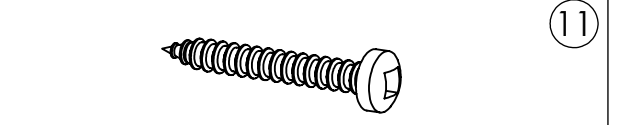
⑧



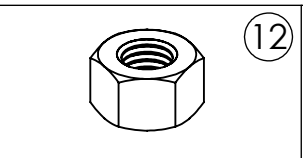
⑨



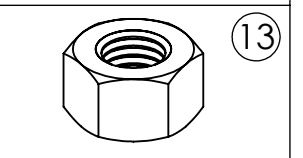
⑩



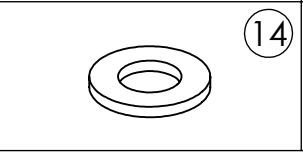
⑪



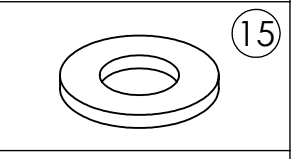
⑫



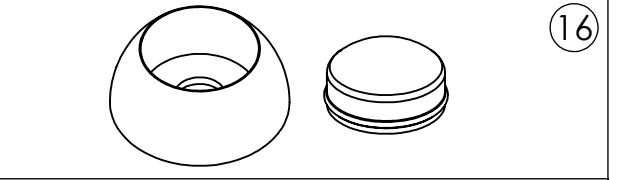
⑬



⑭



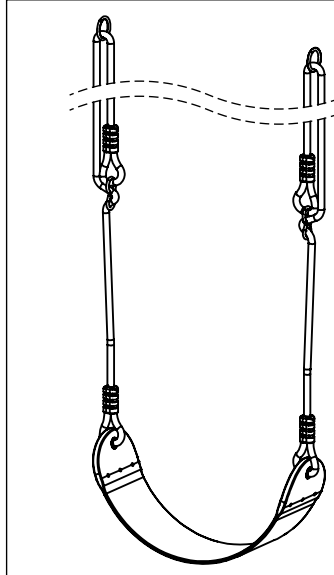
⑮



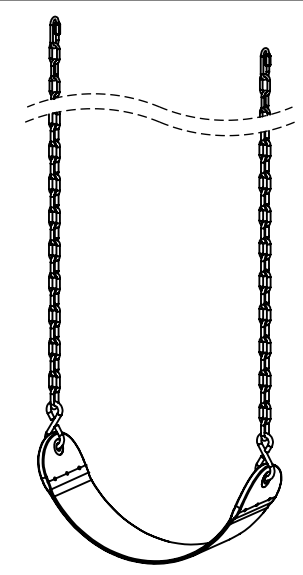
⑯

| 2 Bay Swing Beam Parts List |                                 |     |
|-----------------------------|---------------------------------|-----|
| Item                        | Description                     | Qty |
| 1                           | Swing Beam                      | 1   |
| 2                           | Beam Support Leg                | 2   |
| 3                           | Beam Support Brace              | 1   |
| 4                           | Fixing Beam                     | 1   |
| 5                           | Stabilising Peg                 | 2   |
| 6                           | Swing (Type Depends On Ordered) | 2   |
| 7                           | Beam Support Bracket            | 2   |
| 8                           | M8 x 110mm Coach Bolt           | 1   |
| 9                           | M10 x 200mm Coach Bolt          | 3   |
| 10                          | 14G x 75mm Bugle Phil Screw     | 6   |
| 11                          | 12G x 32mm Pan Square Screw     | 20  |
| 12                          | M8 Hex Nut                      | 1   |
| 13                          | M10 Hex Nut                     | 3   |
| 14                          | M8 Flat Washer                  | 1   |
| 15                          | M10 Flat Washer                 | 3   |
| 16                          | Fixing Protector Base & Cap Set | 4   |

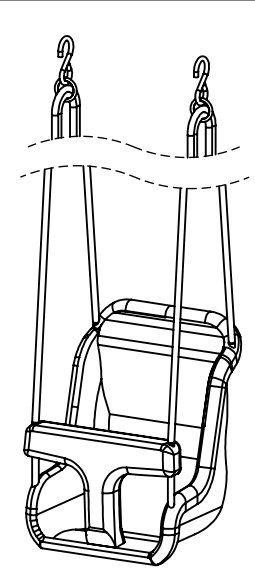
| Tools Required |  |
|----------------|--|
| 1              | Battery Drill (Atleast 14.4v)                          |
| 2              | 3mm x 50mm Square Drive Bit (Supplied With Tower Pack) |
| 3              | 5mm x 50mm Hex Drive Bit (Supplied With Tower Pack)    |
| 4              | 13mm Spanner/Crescent/Socket                           |
| 5              | 17mm Spanner/Crescent/Socket                           |
| 6              | Level  |
| 7              | Hammer   |
| 8              | Spade  |
| 9              | Ladder   |



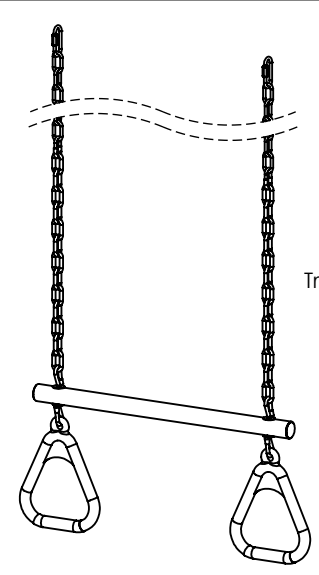
Rope Swing



Chain Swing



Baby Swing



Trapeze Swing

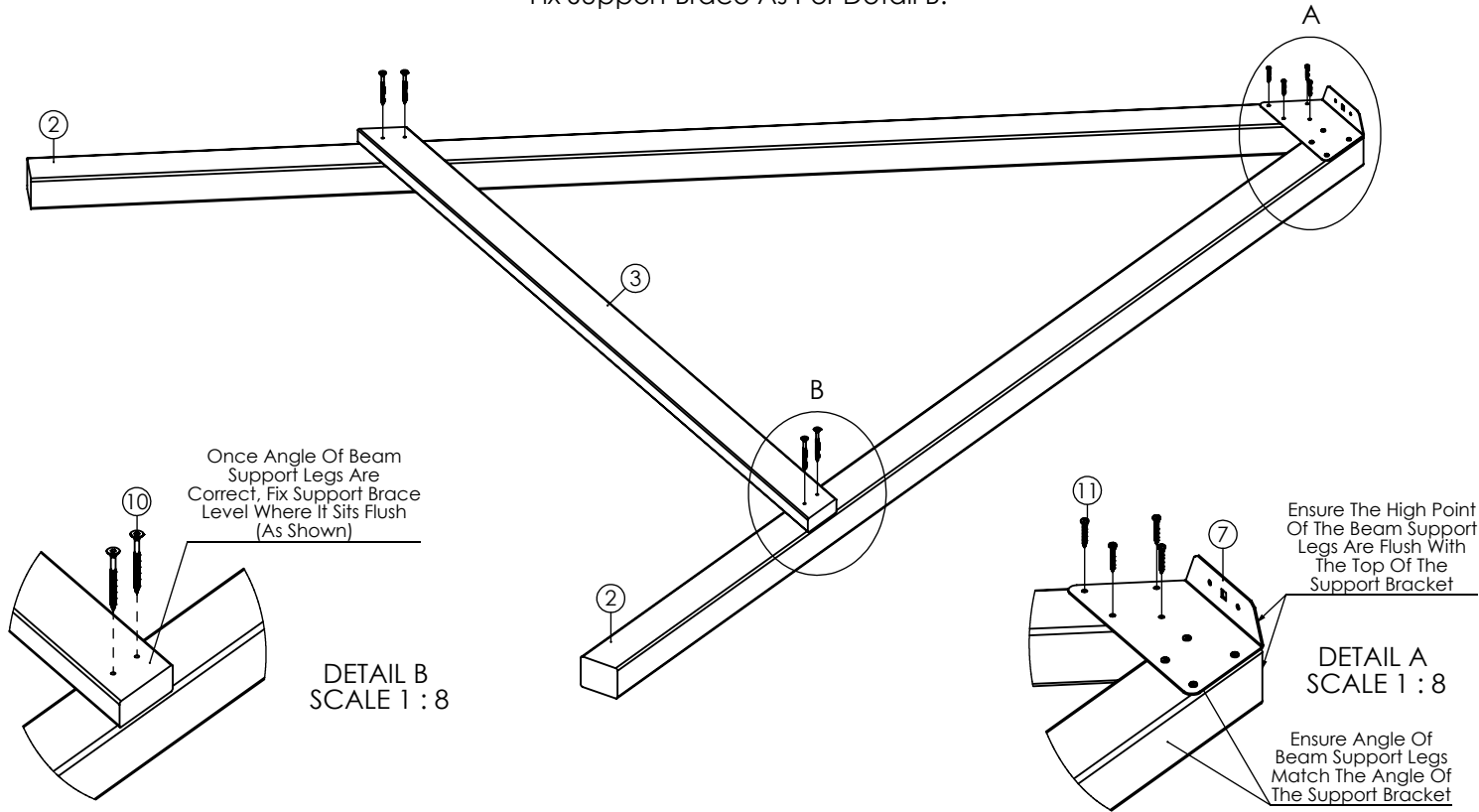
⑥

Additional Info  
Allow Roughly 1 Hour For Two Adults To Assemble  
Two Bay Swing Beam Assembly



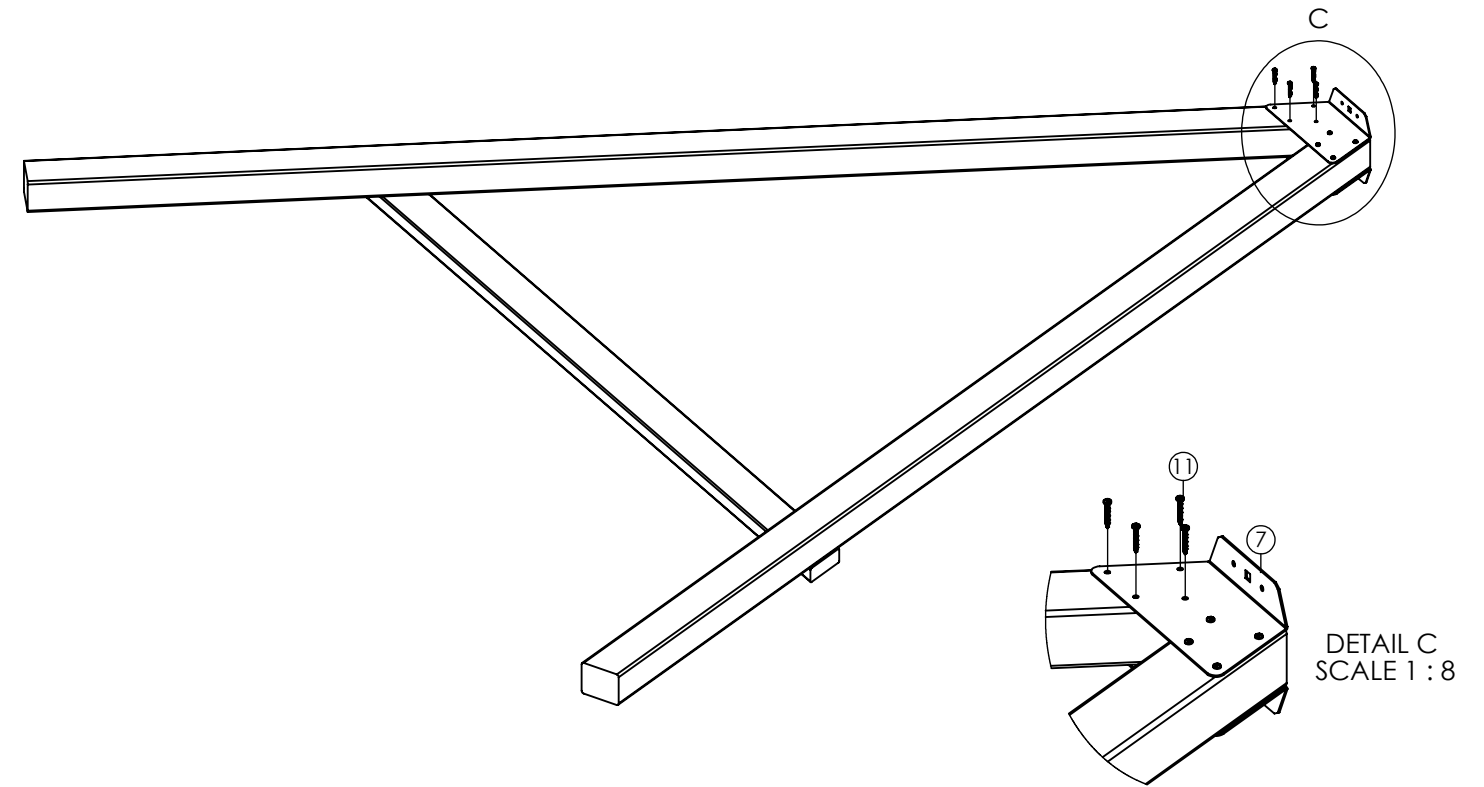
**STEP 1:**  
Beam Support Frame

Instruction:  
Position Support Legs Flush With Angle  
Of Support Bracket (Detail A) & Fix In Place.  
Fix Support Brace As Per Detail B.



**STEP 2:**  
Beam Support Frame

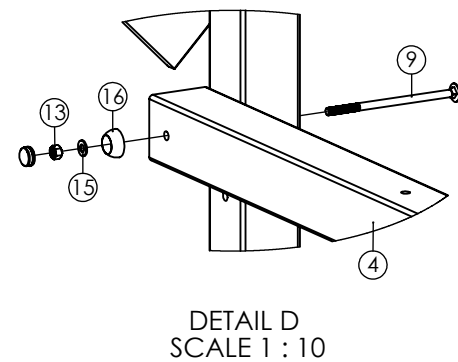
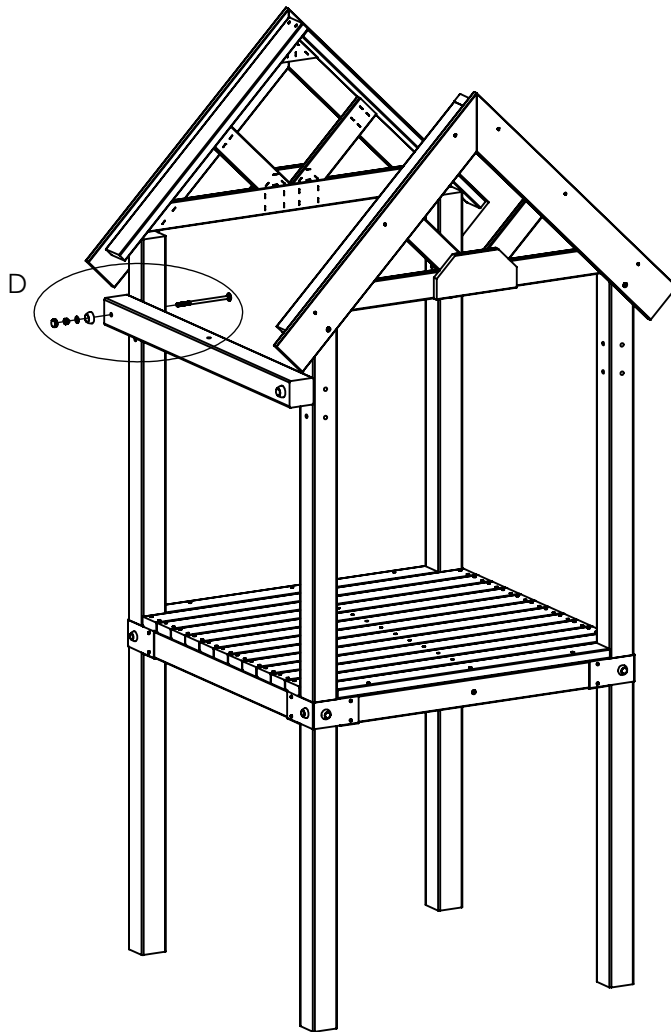
Instruction:  
Fix Second Support Bracket  
On Opposite Side Of Frame,  
Ensuring Bracket Faces Are Flush.



**STEP 3:**  
Mounting Fixing Beam

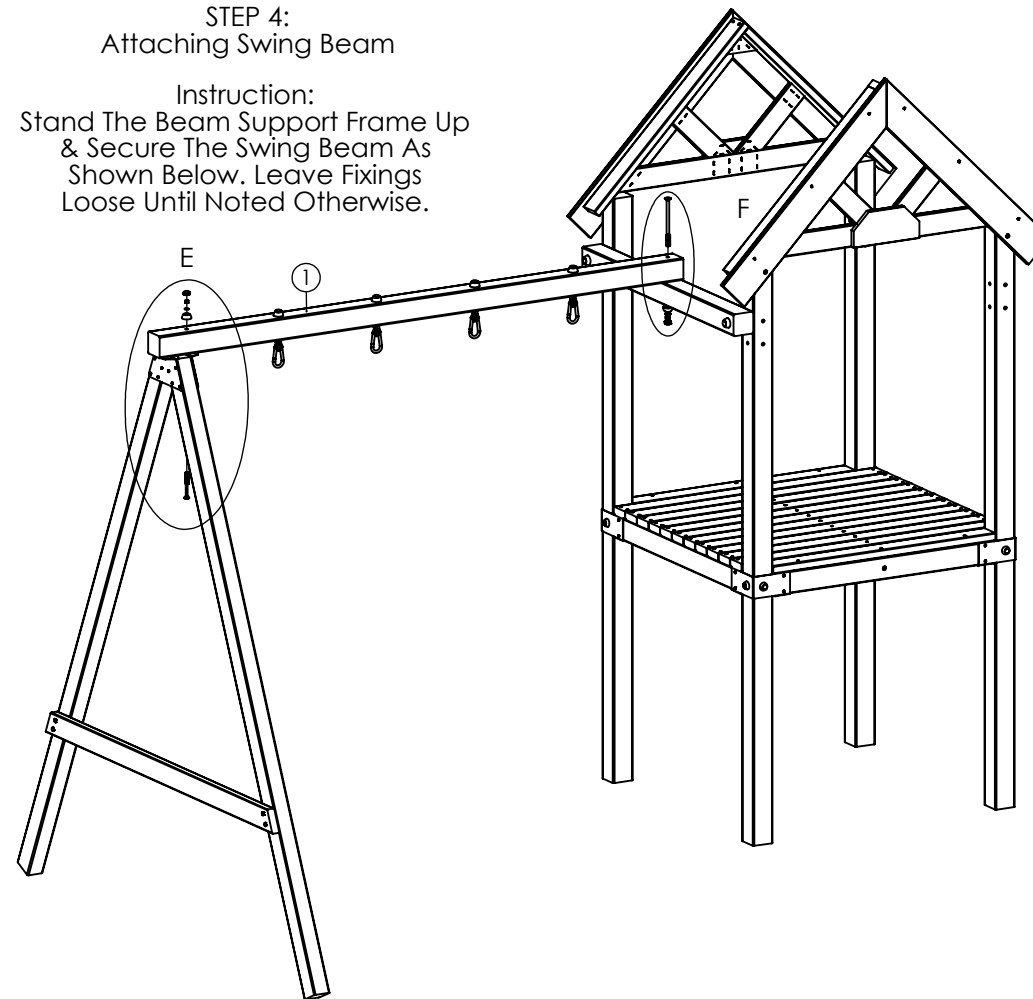
**\*\* IMPORTANT \*\***  
Ensure Beam Is Fixed Above  
A Closed Barrier.

Instruction:  
Secure Fixing Beam To The  
Towers Top Set Of Holes  
(As Shown).  
Leave Fixings Loose Until  
Noted Otherwise.

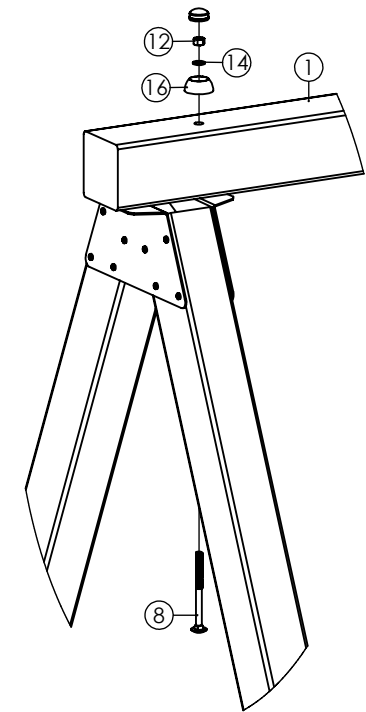


**STEP 4:**  
Attaching Swing Beam

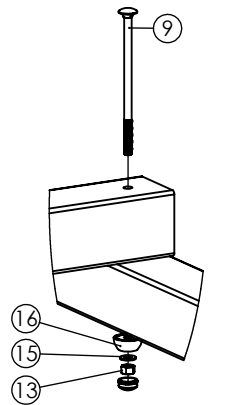
Instruction:  
Stand The Beam Support Frame Up  
& Secure The Swing Beam As  
Shown Below. Leave Fixings  
Loose Until Noted Otherwise.



**DETAIL E**  
SCALE 1 : 10

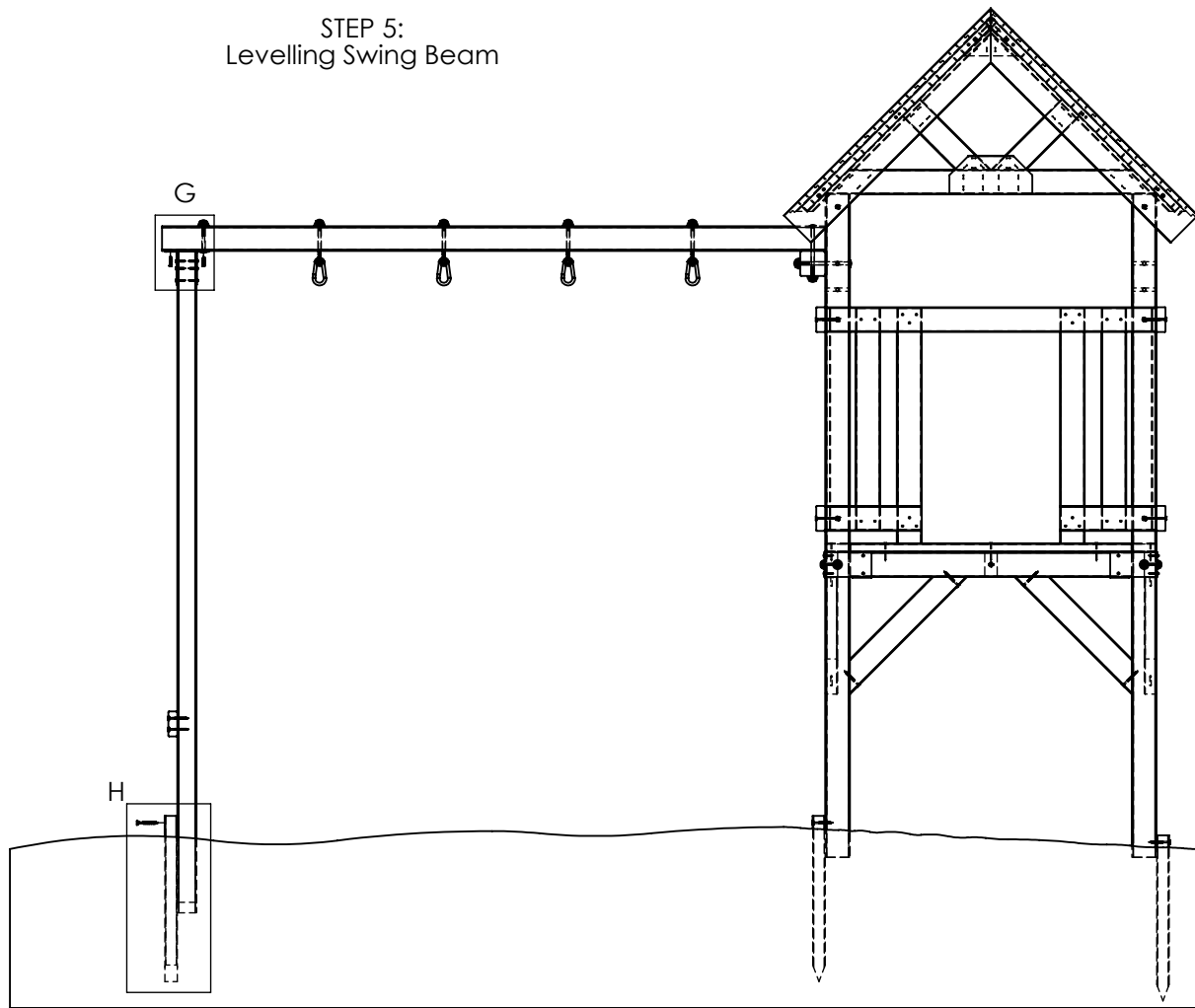


**DETAIL F**  
SCALE 1 : 10



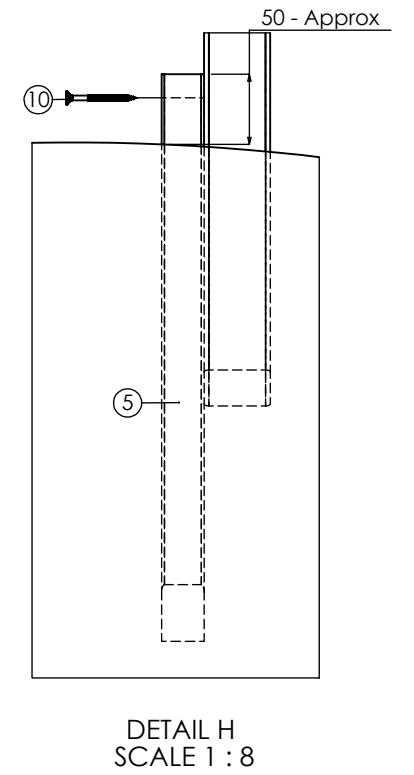
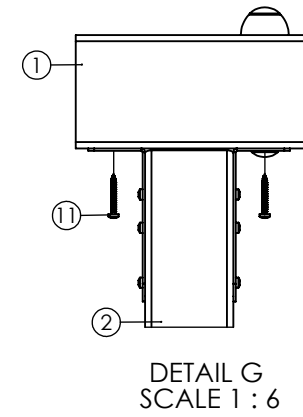
**\*\* IMPORTANT \*\***  
Ensure The Bolts Are  
Installed From The  
Directions Detailed.

STEP 5:  
Levelling Swing Beam



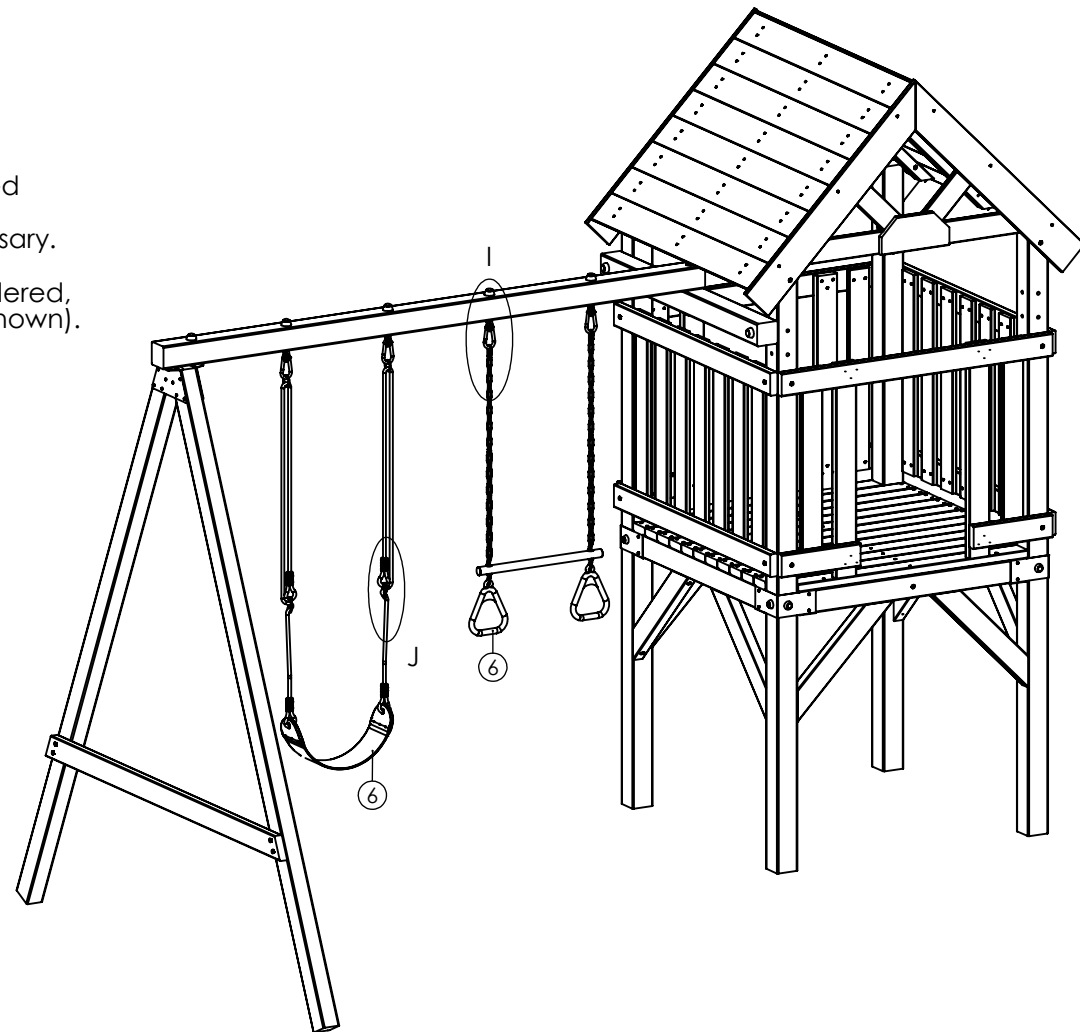
**\*\* IMPORTANT \*\***  
Finish Tower Assembly Before  
Completing The Remaining  
Steps Of The 2 Bay Swing Beam Assembly

Instruction:  
Dig Beam Support Frame Into Ground  
Until Swing Beam Is Level. Ensure The  
Support Frame Is Also Level, Then  
Tighten The Fixings From The Previous  
Steps. Once Completed, Install The  
Remaining Screws To The Support  
Brackets (Detail G), & Stake The Frame  
To The Ground (As Per Detail H).

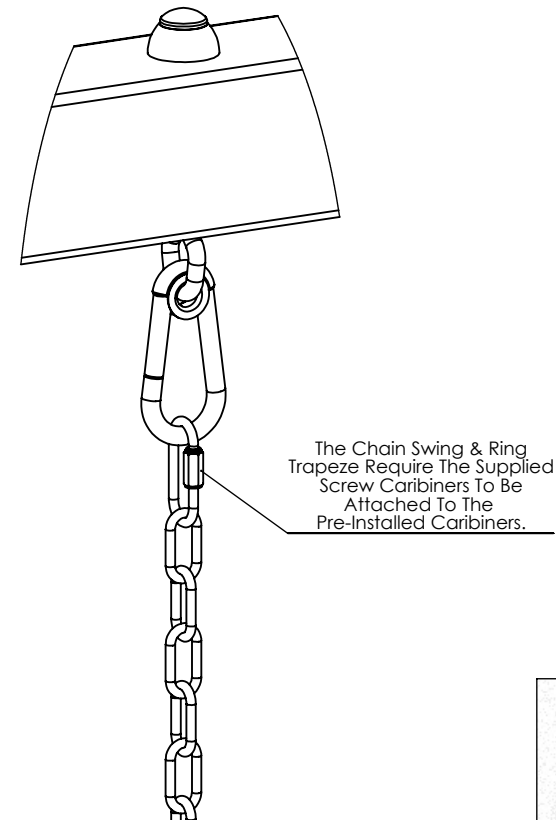


STEP 6:  
Installing Swings

Instruction:  
Clip Swings Into Pre-Installed  
Carabiners Hanging From  
Swing Beam. Adjust As Necessary.  
(Depending On What Was Ordered,  
Swings May Differ From Those Shown).



DETAIL I  
SCALE 1 : 4



DETAIL J  
SCALE 1 : 4

