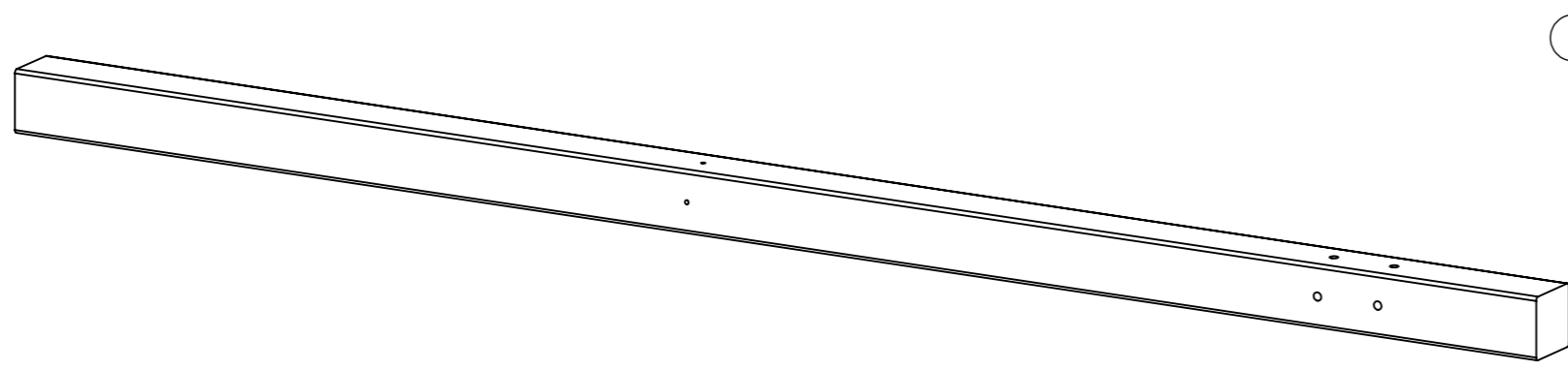
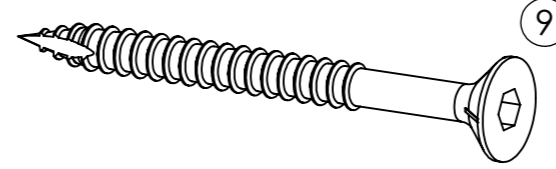


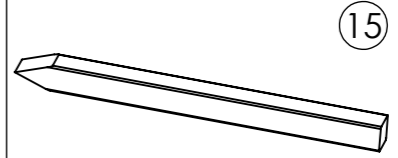
ASSEMBLY INSTRUCTIONS - TOWER PARTS/REQUIREMENTS LIST



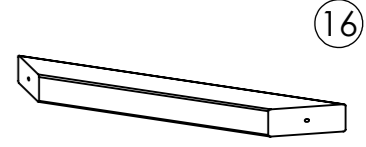
1



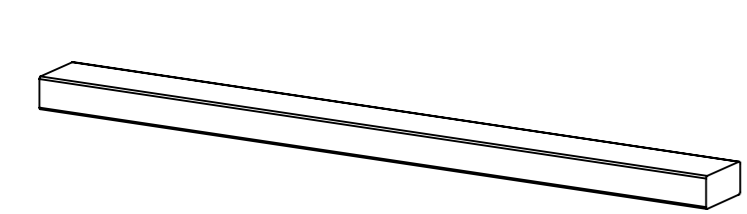
9



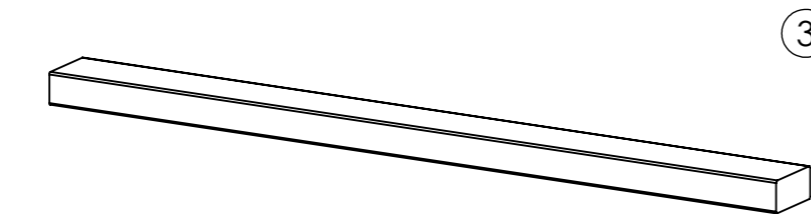
15



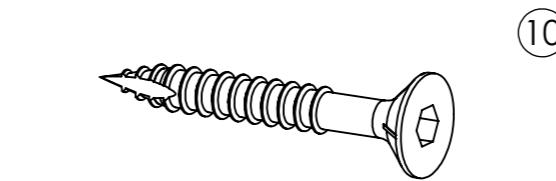
16



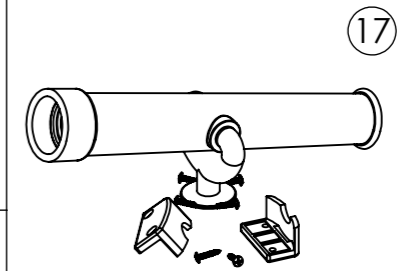
2



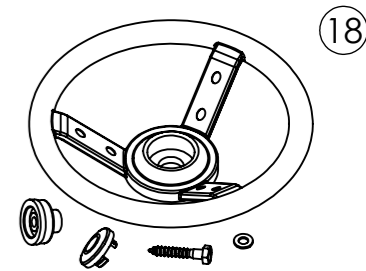
3



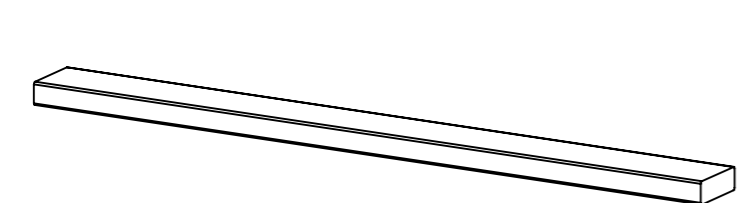
10



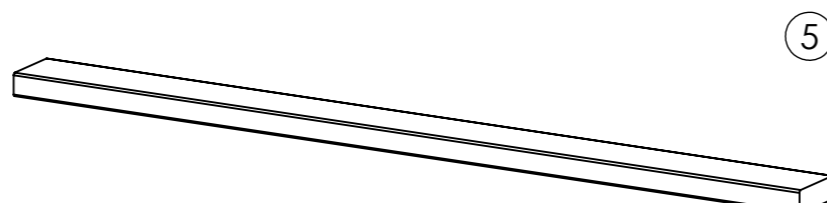
17



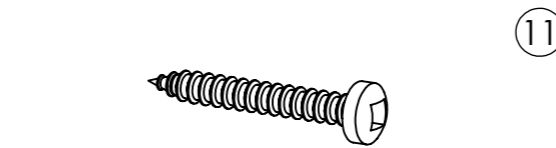
18



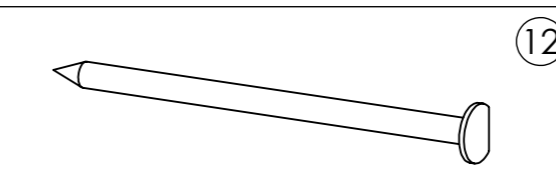
4



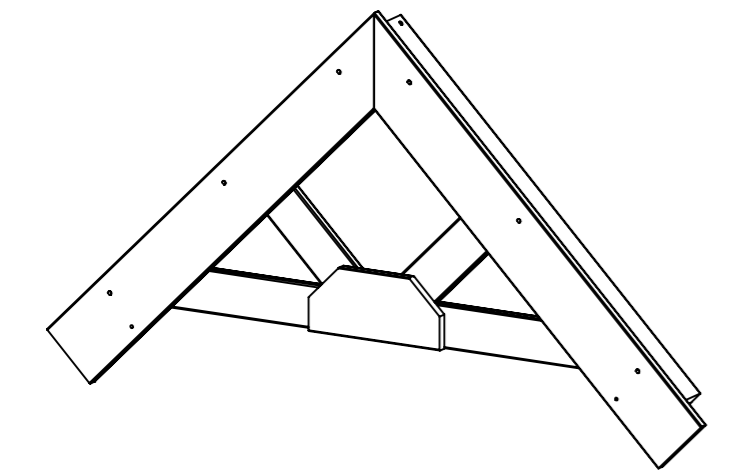
5



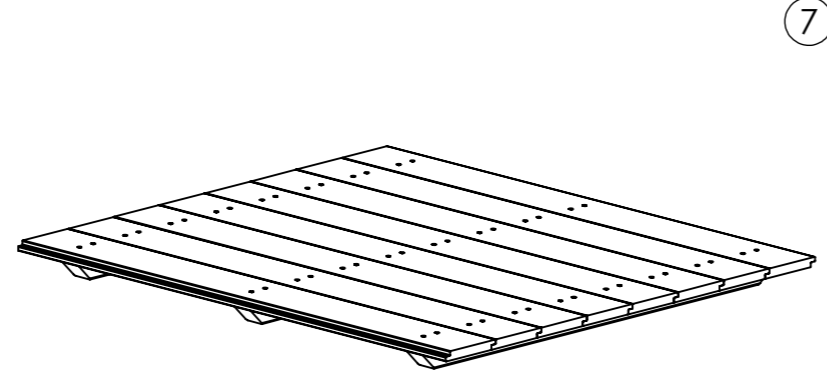
11



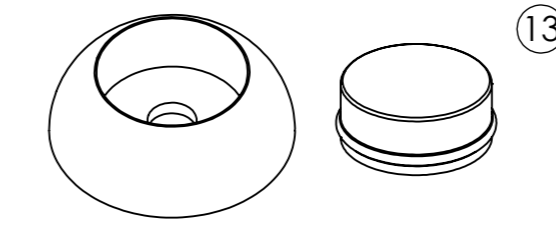
12



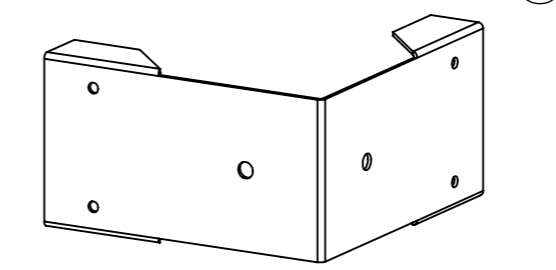
6



7



13



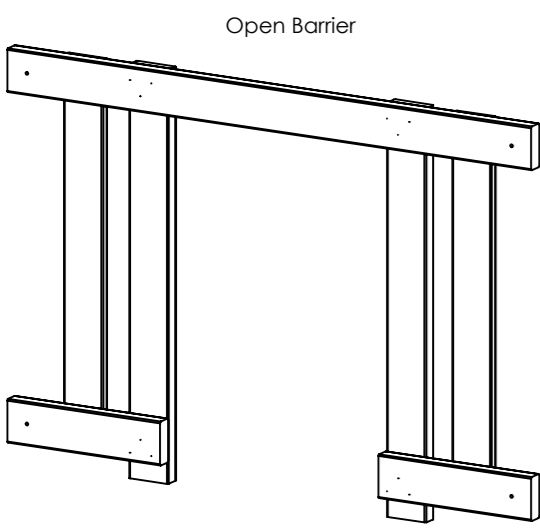
14

Tower Parts List			
Item	Description	Qty 1200 Tower	Qty 1500 Tower
1	100 x 100 Tower Post	4	4
2	100 x 50 Cross Member	4	4
3	100 x 50 Floor Support	1	1
4	100 x 40 End Floor Board	2	2
5	100 x 40 Floor Board	11	14
6	Roof End	2	2
7	Roof Board	2	2
8	Tower Barrier	4	4
9	14G x 75mm Bugle Phil Screw	52	52
10	14G x 50mm Bugle Phil Screw	8	8
11	12G x 32mm Pan Square Screw	16	16
12	75mm Galvanised Nail	80	80
13	Fixing Protector Base & Cap Set	8	8
14	Corner Bracket	4	4
15	Stabilising Peg	4	4
16	Tower Brace	8	8
17	Telescope (Optional Extra)	As Per Ordered	As Per Ordered
18	Steering Wheel (Optional Extra)	As Per Ordered	As Per Ordered

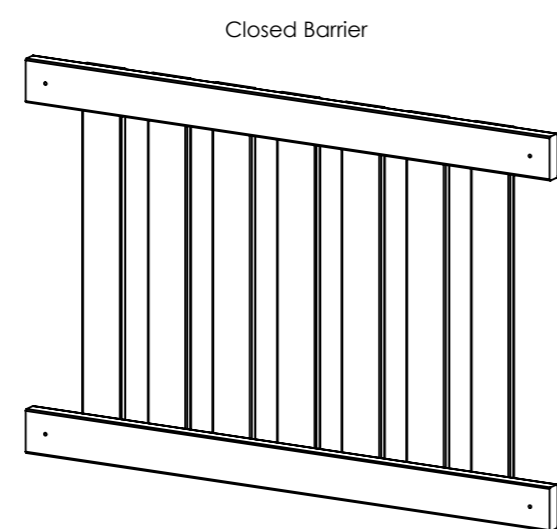
Tools Required	
1	Battery Drill (Atleast 14.4v)
2	3mm x 50mm Square Drive Bit (Supplied)
3	5mm x 50mm Hex Drive Bit (Supplied)
4	Tape Measure
5	Hammer
6	17mm Spanner/Crescent/Socket

Additional Info
Allow Roughly 4 Hours For Two Adults To Assemble Tower Assembly

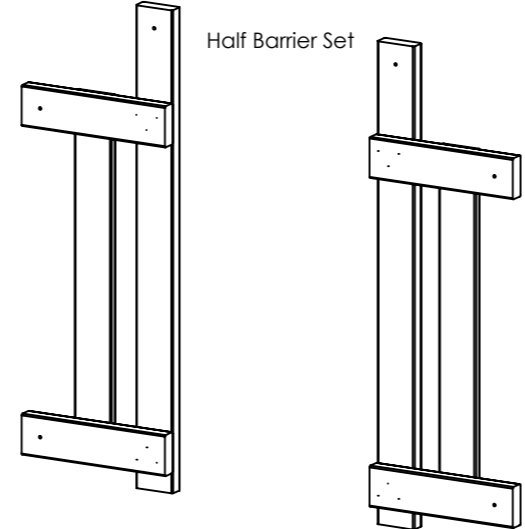
Version: 1.0 | SHEET 1 OF 3



Open Barrier



Closed Barrier



Half Barrier Set

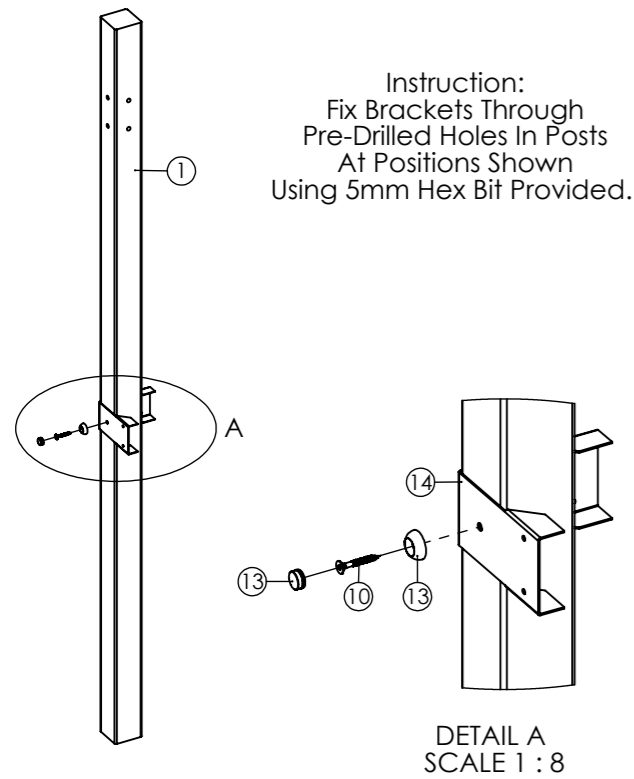


Note: Safety Handle Sets Provided With All Open & Half Barriers

Note: The Barrier Type Will Depend On Accompanying Add-Ons. Refer To Applicable Add-On Instructions For Details.

8

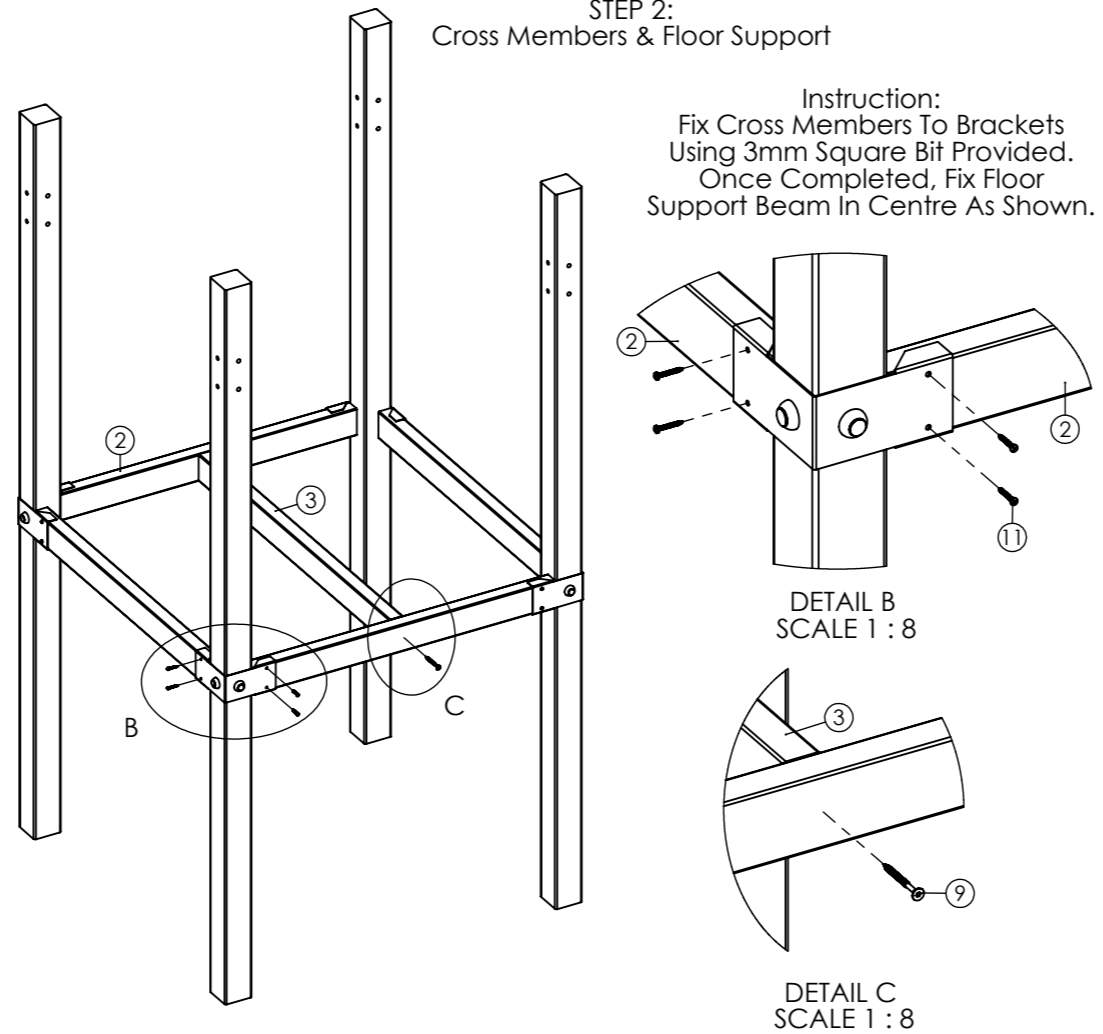
STEP 1:
Post Assembly x 4



Instruction:
Fix Brackets Through
Pre-Drilled Holes In Posts
At Positions Shown
Using 5mm Hex Bit Provided.

DETAIL A
SCALE 1 : 8

STEP 2:
Cross Members & Floor Support

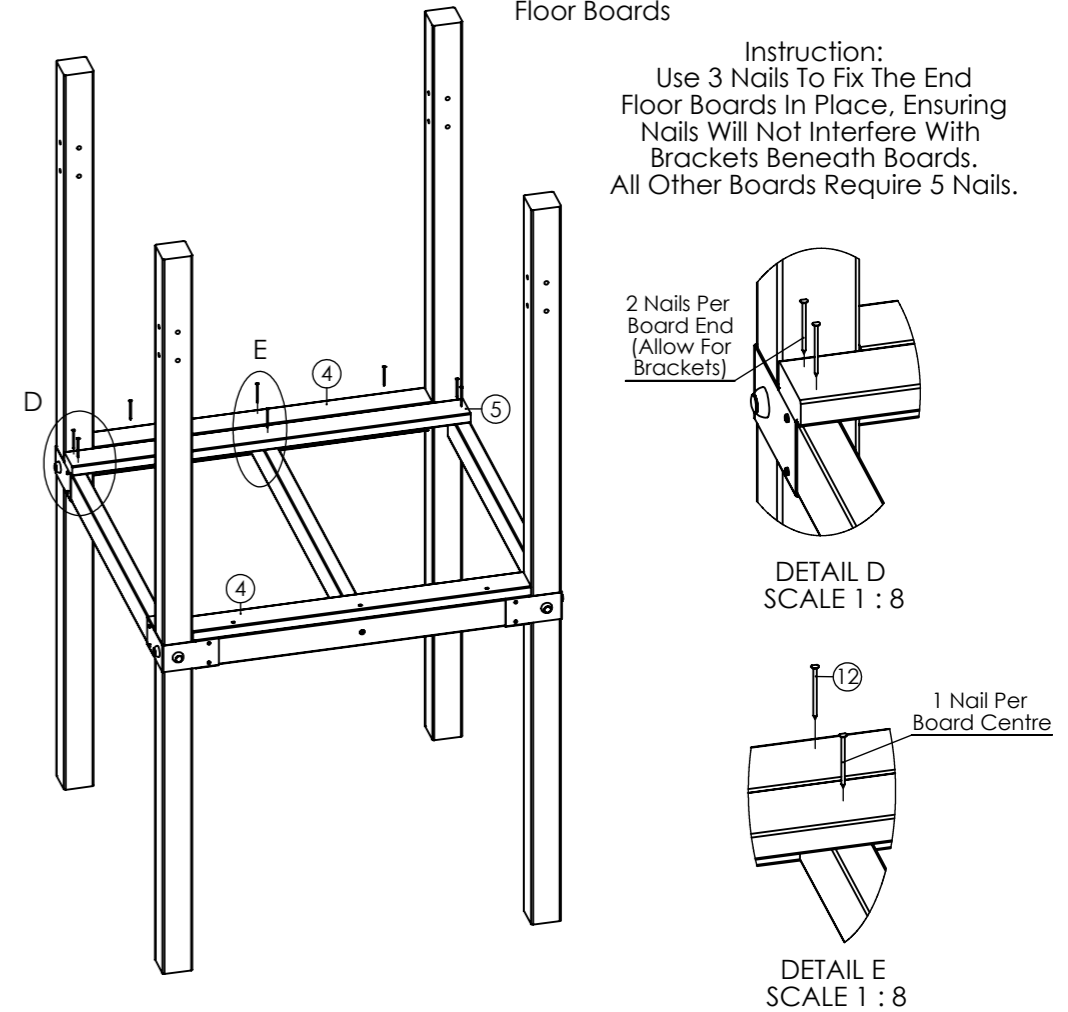


Instruction:
Fix Cross Members To Brackets
Using 3mm Square Bit Provided.
Once Completed, Fix Floor
Support Beam In Centre As Shown.

DETAIL B
SCALE 1 : 8

DETAIL C
SCALE 1 : 8

STEP 3:
Floor Boards

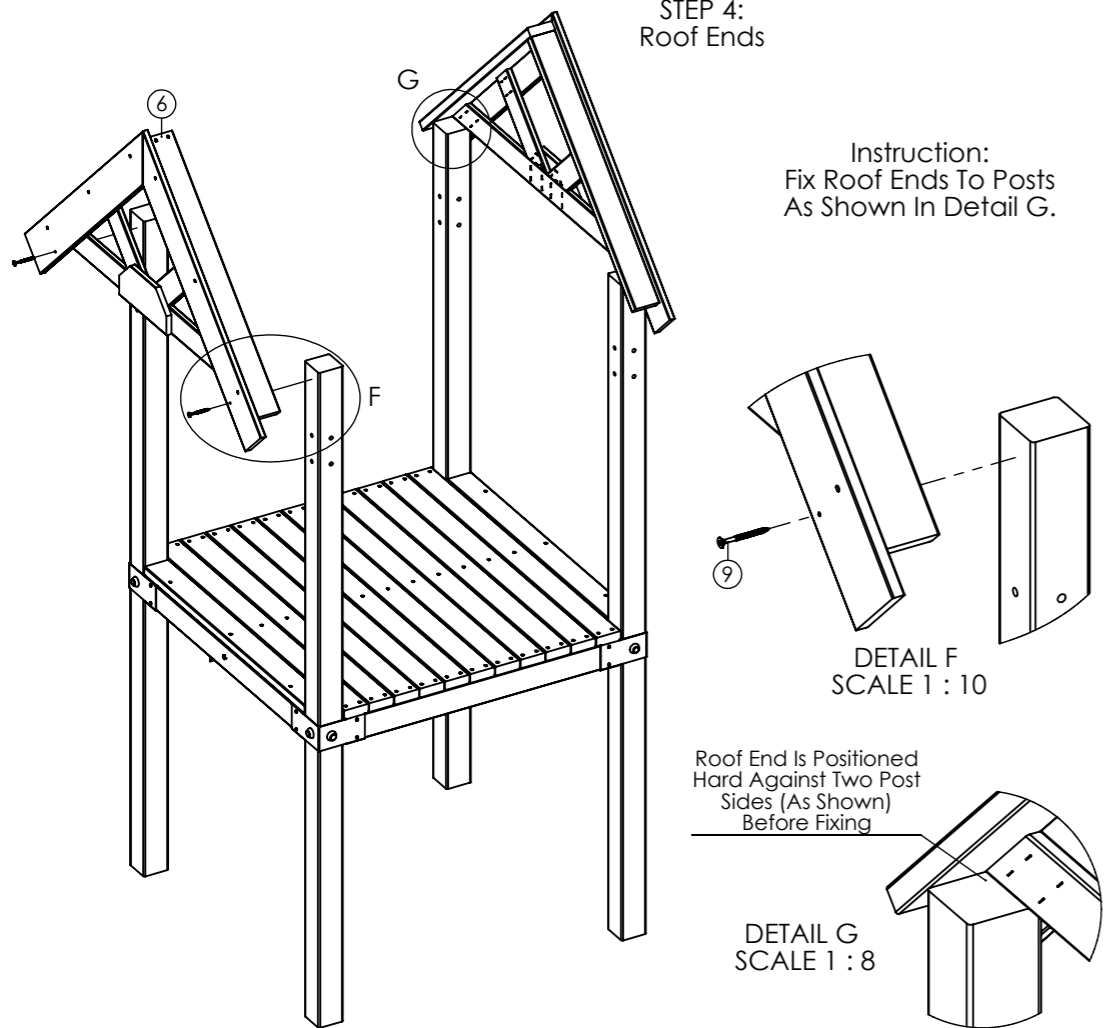


Instruction:
Use 3 Nails To Fix The End
Floor Boards In Place, Ensuring
Nails Will Not Interfere With
Brackets Beneath Boards.
All Other Boards Require 5 Nails.

DETAIL D
SCALE 1 : 8

DETAIL E
SCALE 1 : 8

STEP 4:
Roof Ends



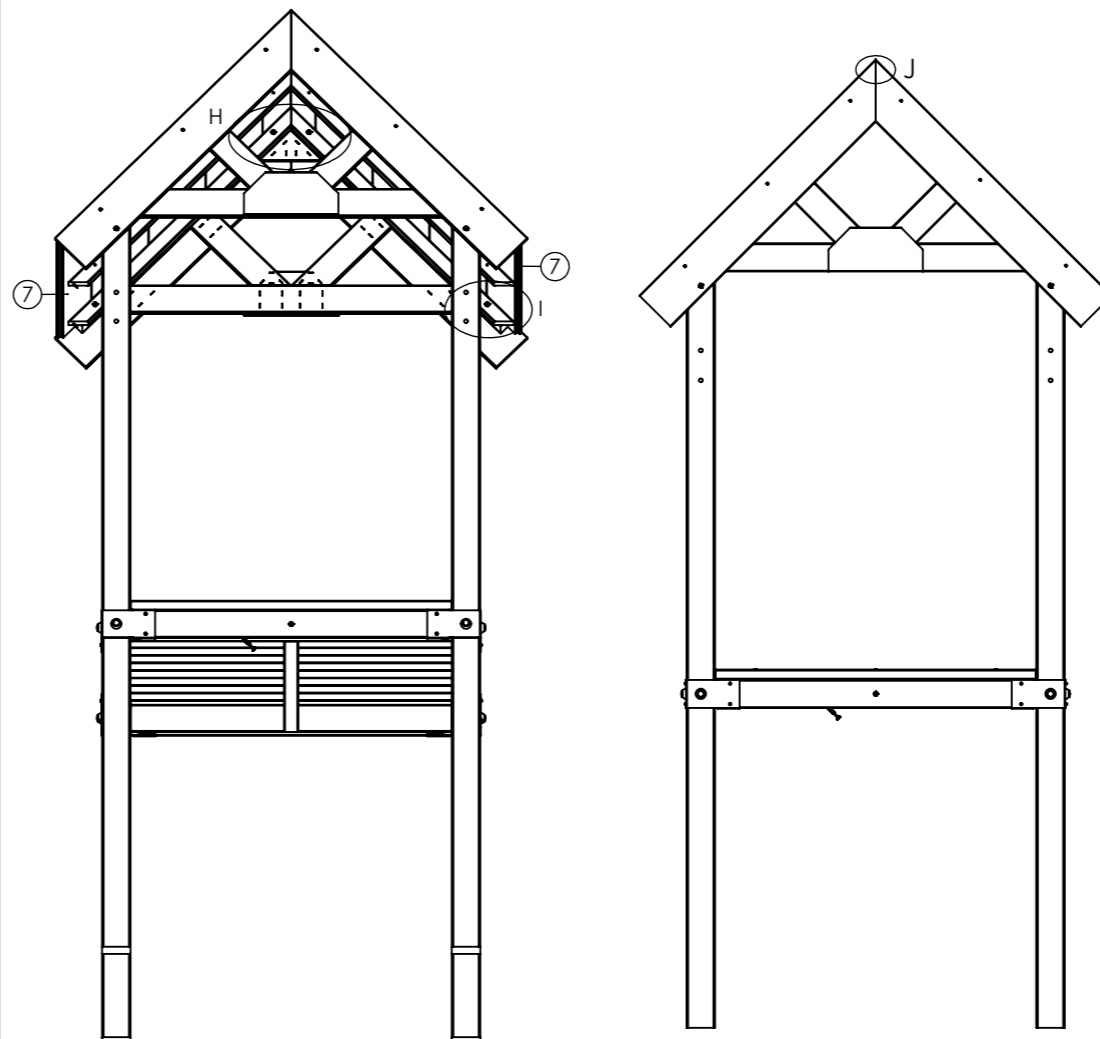
Instruction:
Fix Roof Ends To Posts
As Shown In Detail G.

DETAIL F
SCALE 1 : 10

Roof End Is Positioned
Hard Against Two Post
Sides (As Shown)
Before Fixing

DETAIL G
SCALE 1 : 8

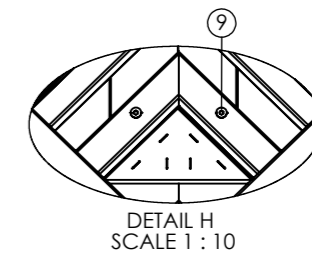
STEP 5:
Roof Panels



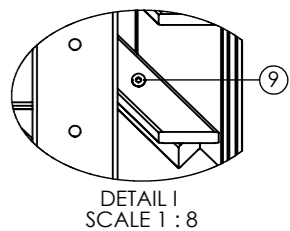
**** IMPORTANT ****
Install Accessories/Swing Beam/
Monkey Bars/ Cantilevers Before
This Step Is Completed.

Instruction:
Using A Ladder, Fix Roof
Panels To The Roof Ends.
Ensure The Panels Are
Overlapped, As Per Detail K

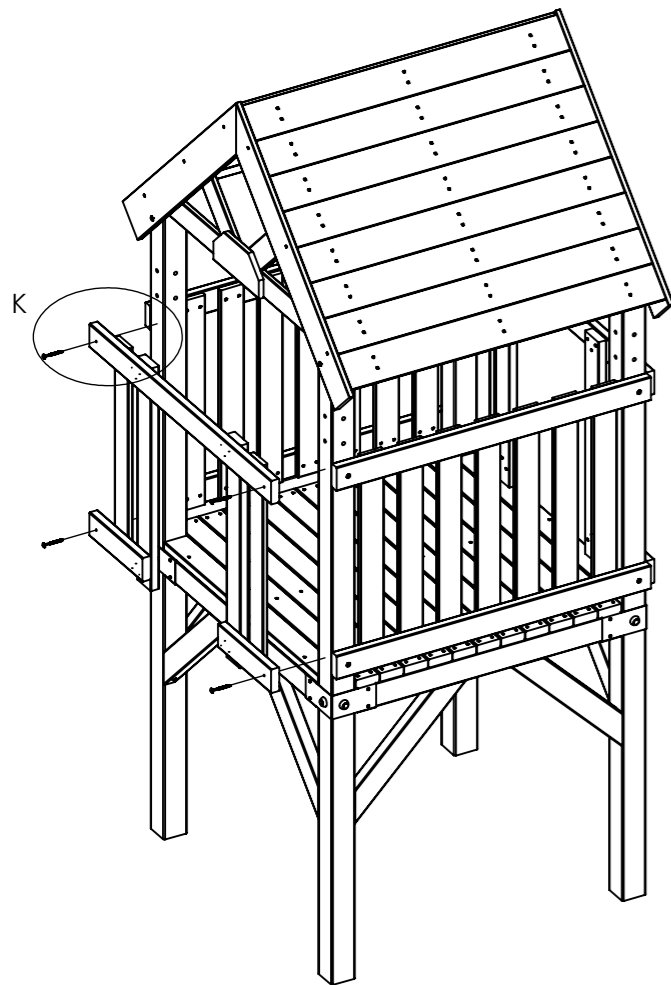
DETAIL J
SCALE 1 : 4



DETAIL H
SCALE 1 : 10



DETAIL I
SCALE 1 : 8

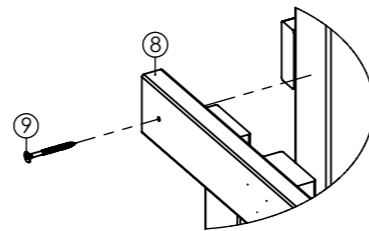


**STEP 6:
Barriers**

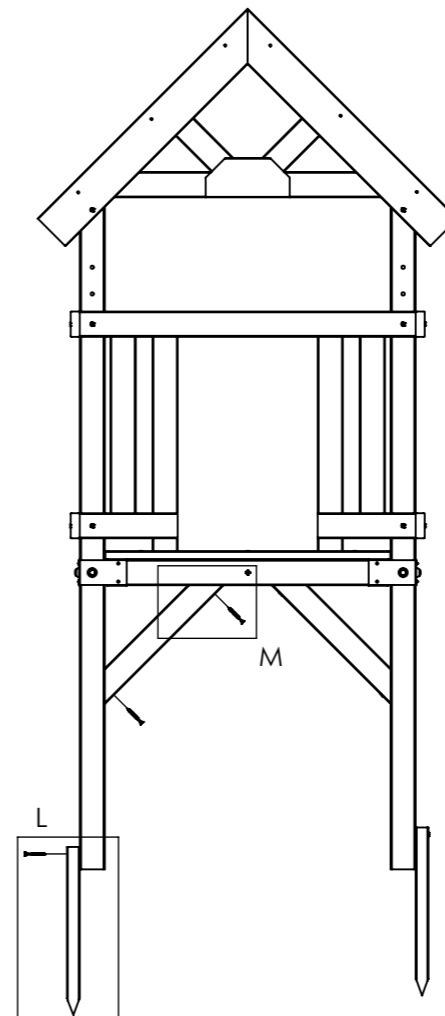
Instruction:
Fix Barriers To Posts.
Fix Open/Half Barriers First To
Set Level For Closed Barriers.

Barrier Type By Accessory:

- Wave Slide: Open
- Rockwall: Open
- Ladder: Open
- Monkey Bars: (1200 Tower) Half
- Monkey Bars: (1500 Tower) Closed
- Swing Beam: Closed
- No Accessory: Closed



**DETAIL K
SCALE 1 : 10**



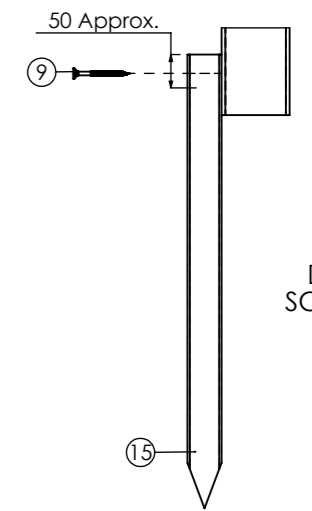
**STEP 7:
Bracing &
Staking The Tower**

Instruction:
Ensure Tower Is Level
In All Directions (If Ground
Is Not Level, Dig Posts Into
Ground Until Even).

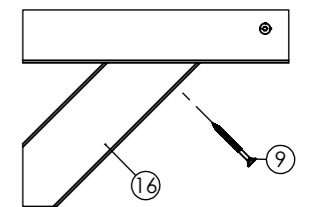
Once Level, Hammer
Stakes In Until They
Are Roughly The
Distances Shown In
Detail L (If Ground Is
Hard, Stakes Can Be
Hammered In Approx.
400mm, And The Remainder
Can Be Sawn Off).

Once Stakes
Are Positioned Correctly,
Fix Them To The Base
Of The Tower Post.

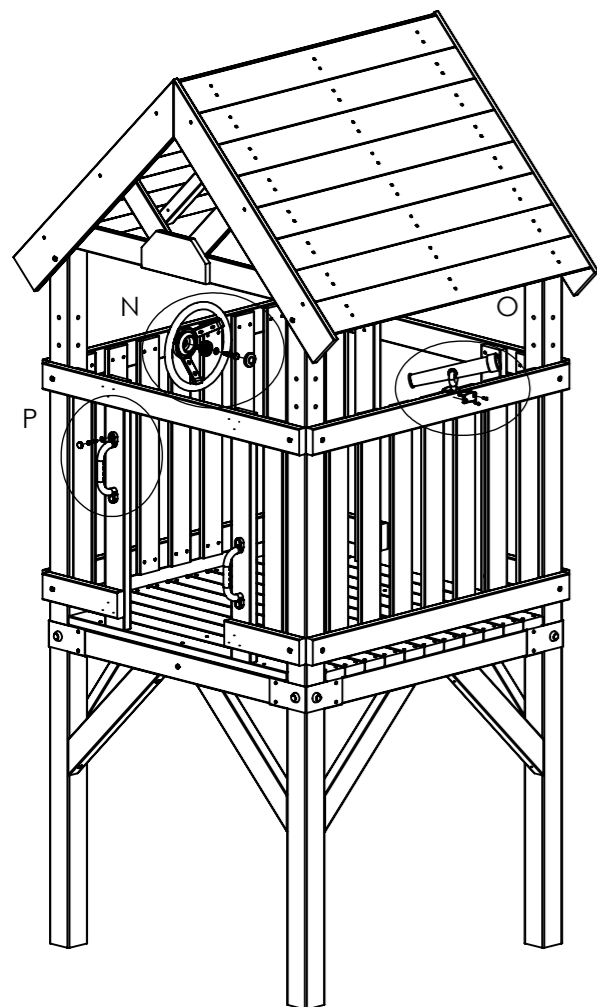
Fix Support Braces To All
Sides Of Tower, As Shown
In Detail M.



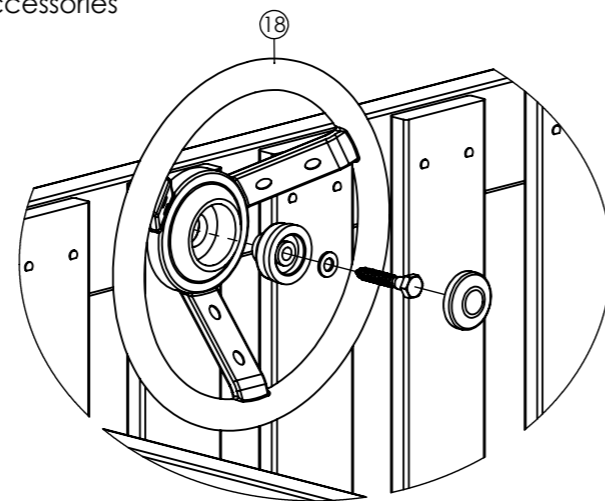
**DETAIL L
SCALE 1 : 10**



**DETAIL M
SCALE 1 : 10**

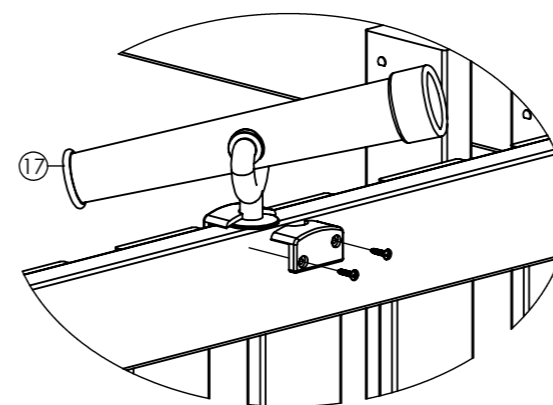


**STEP 8:
Installing Accessories**



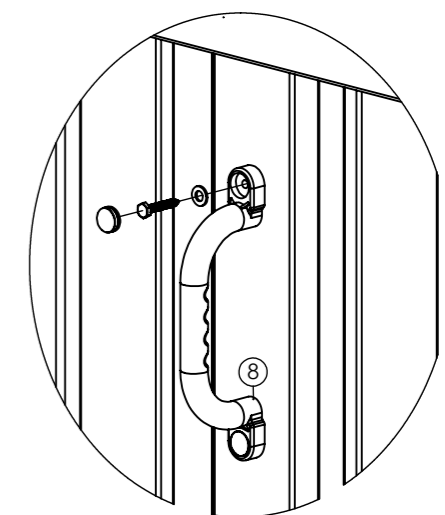
**DETAIL N
SCALE 1 : 6**

Instruction:
Fix Steering Wheel Through
Barrier Where Wood Overlaps
In Center Of Horizontal Beam
(As Shown)



**DETAIL O
SCALE 1 : 6**

Instruction:
Fix Telescope To Barrier Horizontal
Beam In Between Vertical Slats
(As Shown)



**DETAIL P
SCALE 1 : 6**

Instruction:
Fix Handles To Barrier Vertical
Beams Either Side Of Barrier Entrance.
Handles Can Be Positioned As Desired.